



## BNC Male to Reverse Polarity BNC Female Adapter

### RF Adapters Technical Data Sheet

PE9530

#### Configuration

- BNC Male Connector 1
- BNC Female Reverse Polarity Connector 2
- 50 Ohms
- Straight Body Geometry

#### Features

- BNC Interface compliant with MIL-STD-348
- Gold Plated Contact
- Contact Plating per MIL-G-45204

#### Applications

- General Purpose Test

#### Description

Pasternack's PE9530 BNC male to reverse polarity BNC female adapter is part of our full line of RF components available for same-day shipping. Our BNC to reverse polarity BNC adapter has a male to female gender configuration.

RF adapters are often used to enable connections between two connector types that would otherwise not mate. Certain adapter configurations can also be used to protect connectors on expensive equipment where the number of connect/disconnect cycles is high. An RF, microwave or millimeter wave adapter is connected to the equipment, and the commonly changed connection is made with the adapter which can be easily replaced when it wears out after high usage; such adapters are referred to as connector savers. Pasternack also offers bulkhead, panel mount, hermetically sealed, reverse polarity, and isolated ground adapter varieties to serve all of your RF, microwave and millimeter wave needs.

#### Mechanical Specifications

##### Size

Length	1.212 in [30.78 mm]
Width	0.57 in [14.48 mm]
Weight	0.034 lbs [15.42 g]

Description	Connector 1	Connector 2
Type	BNC Male	BNC Female
Polarity	Standard	Reverse Polarity
Interface Specification	MIL-STD-348	MIL-STD-348

Click the following link (or enter part number in "SEARCH" on website) to obtain additional part information including price, inventory and certifications: [BNC Male to Reverse Polarity BNC Female Adapter PE9530](#)



## BNC Male to Reverse Polarity BNC Female Adapter

### RF Adapters Technical Data Sheet

PE9530

#### Material Specifications

Description	Connector 1		Connector 2	
	Material	Plating	Material	Plating
Type	BNC Male		BNC Female Reverse Polarity	
Contact		Gold MIL-G-45204		Gold MIL-G-45204
Insulation	PTFE		PTFE	
Outer Conductor			Brass	Nickel QQ-N-290
Body	Brass	Nickel QQ-N-290		
Coupling Nut	Brass	Nickel QQ-N-290		

#### Environmental Specifications

##### Temperature

Operating Range -65 to +165 deg C

**Compliance Certifications** (see [product page](#) for current document)

#### Plotted and Other Data

Notes:

BNC Male to Reverse Polarity BNC Female Adapter from Pasternack Enterprises has same day shipment for domestic and International orders. Our RF, microwave and millimeter wave products maintain a 99% availability and are part of the broadest selection in the industry.

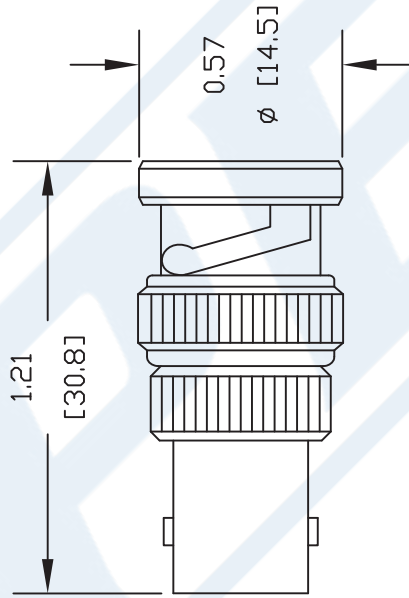
Click the following link (or enter part number in "SEARCH" on website) to obtain additional part information including price, inventory and certifications: [BNC Male to Reverse Polarity BNC Female Adapter PE9530](#)

URL: <https://www.pasternack.com/bnc-male-bnc-female-straight-adapter-pe9530-p.aspx>

The information contained in this document is accurate to the best of our knowledge and representative of the part described herein. It may be necessary to make modifications to the part and/or the documentation of the part, in order to implement improvements. Pasternack reserves the right to make such changes as required. Unless otherwise stated, all specifications are nominal. Pasternack does not make any representation or warranty regarding the suitability of the part described herein for any particular purpose, and Pasternack does not assume any liability arising out of the use of any part or documentation.

# PE9530 CAD Drawing

BNC Male to Reverse Polarity BNC Female Adapter



DWG TITLE

**PE9530**

NOTES:  
1. UNLESS OTHERWISE SPECIFIED ALL DIMENSIONS ARE NOMINAL.  
2. ALL SPECIFICATIONS ARE SUBJECT TO CHANGE WITHOUT NOTICE AT ANY TIME.  
3. DIMENSIONS ARE IN INCHES [mm].

**PASTERNAK ENTERPRISES, INC.**  
P.O. BOX 16759, IRVINE, CA 92623  
PHONE (949) 261-1920 FAX (949) 261-7451  
WEB ADDRESS: [www.pasternack.com](http://www.pasternack.com)  
E-MAIL ADDRESS: [sales@pasternack.com](mailto:sales@pasternack.com)  
**COAXIAL & FIBER OPTICS**



FSCM NO. 53919

CAD FILE 092702

SCALE N/A

SIZE A

127