



Reverse Polarity TNC Male to N Female Low Loss Cable 18 Inch Length Using LMR-195 Coax , LF Solder

RF Cable Assemblies Technical Data Sheet

PE3W07862LF-18

Configuration

- Connector 1: TNC Male Reverse Polarity
- Connector 2: N Female
- Cable Type: LMR-195

Features

- Max Frequency 10 GHz
- Shielding Effectivity > 90 dB
- 80% Phase Velocity
- Double Shielded
- PE Jacket

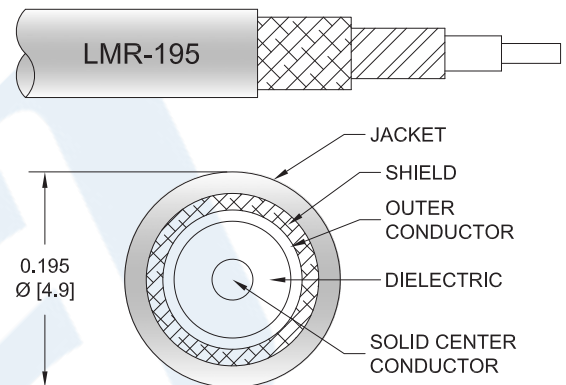
Applications

- General Purpose
- Laboratory Use

Description

Pasternack's PE3W07862LF-18 reverse polarity TNC male to type N female 18 inch cable using LMR-195 coax is part of our full line of RF components available for same-day shipping. Pasternack's flexible RF cable assemblies are ideal for applications where tight bends and flexure are required. This Pasternack reverse polarity TNC to type N cable assembly has a male to female gender configuration with 50 ohm flexible LMR-195 coax. The PE3W07862LF-18 reverse polarity TNC male to type N female cable assembly operates to 10 GHz. The double shielding of this Pasternack cable assembly provides excellent shielding effectiveness of better than 90 dB.

Custom versions of most RF cable assemblies can be built and shipped same day. Custom cable assembly lengths can be obtained by specifying the desired length on the web site at time of order or by contacting a sales representative. Other available RF cable assembly value added services include connector orientation or clocking, heat shrink booting and custom labeling. RF testing can also be performed to document the electrical performance of your cable assembly.



Click the following link (or enter part number in "SEARCH" on website) to obtain additional part information including price, inventory and certifications: [Reverse Polarity TNC Male to N Female Low Loss Cable 18 Inch Length Using LMR-195 Coax , LF Solder PE3W07862LF-18](#)



Reverse Polarity TNC Male to N Female Low Loss Cable
18 Inch Length Using LMR-195 Coax , LF Solder

RF Cable Assemblies Technical Data Sheet

PE3W07862LF-18

Electrical Specifications

Description	Minimum	Typical	Maximum	Units
Frequency Range	DC		10	GHz
VSWR			1.5:1	
Velocity of Propagation		80		%
RF Shielding	90			dB
Group Delay		1.27 [4.17]		ns/ft [ns/m]
Capacitance		25.4 [83.33]		pF/ft [pF/m]
Inductance		0.064 [0.21]		uH/ft [uH/m]
DC Resistance Inner Conductor		7.6 [24.93]		Ω /1000ft [Ω /Km]
DC Resistance Outer Conductor		4.9 [16.08]		Ω /1000ft [Ω /Km]
Jacket Spark			3,000	Vrms

Specifications by Frequency

Description	F1	F2	F3	F4	F5	Units
Frequency	0.5	1	2.5	5	10	GHz
Insertion Loss (Max.)	0.33	0.38	0.48	0.61	0.74	dB

Electrical Specification Notes:

The Insertion Loss data above is based on the performance specifications of the coax cable and connectors used in this assembly. The Insertion Loss is estimated as 0.1 dB per TNC male and N female connector.

Mechanical Specifications

Cable Assembly

Length* 18 in [457.2 mm]

Cable

Cable Type LMR-195
 Impedance 50 Ohms
 Inner Conductor Type Solid
 Inner Conductor Material and Plating Copper
 Dielectric Type PE (F)
 Number of Shields 2
 Shield Layer 1 Aluminum Tape
 Shield Layer 2 Tinned Copper Braid
 Jacket Material PE, Black
 Jacket Diameter 0.195 in [4.95 mm]

One Time Minimum Bend Radius 0.5 in [12.7 mm]

Click the following link (or enter part number in "SEARCH" on website) to obtain additional part information including price, inventory and certifications: [Reverse Polarity TNC Male to N Female Low Loss Cable 18 Inch Length Using LMR-195 Coax , LF Solder PE3W07862LF-18](#)



Reverse Polarity TNC Male to N Female Low Loss Cable
18 Inch Length Using LMR-195 Coax , LF Solder

RF Cable Assemblies Technical Data Sheet

PE3W07862LF-18

Repeated Minimum Bend Radius	2 in [50.8 mm]
Bending Moment	0.2 lbs-ft [0.27 N-m]
Flat Plate Crush	15 lbs/in [0.27 Kg/mm]
Tensile Strength	40 lbs [18.14 Kg]

Connectors

Description	Connector 1	Connector 2
Type	TNC Male Reverse Polarity	N Female
Impedance	50 Ohms	50 Ohms
Contact Material and Plating	Brass, Gold	Phosphor Bronze, Gold
Contact Plating Specification	30 µin minimum	
Dielectric Type	PTFE	PTFE
Outer Conductor Material and Plating	Brass, Nickel	Copper, Tri-Metal
Body Material and Plating	Brass, Nickel	Brass, Tri-Metal
Body Plating Specification	100 µin minimum	

Environmental Specifications

Temperature

Operating Range	-40 to +85 deg C
-----------------	------------------

Compliance Certifications (see [product page](#) for current document)

Plotted and Other Data

Notes:

Click the following link (or enter part number in "SEARCH" on website) to obtain additional part information including price, inventory and certifications: [Reverse Polarity TNC Male to N Female Low Loss Cable 18 Inch Length Using LMR-195 Coax , LF Solder PE3W07862LF-18](#)



Reverse Polarity TNC Male to N Female Low Loss Cable
18 Inch Length Using LMR-195 Coax , LF Solder

RF Cable Assemblies Technical Data Sheet

PE3W07862LF-18

How to Order

Part Number Configuration:

PE3W07862LF - xx uu

Unit of Measure:
cm = Centimeters
<blank> = Inches
Length
Base Number

Example: PE3W07862LF-12 = 12 inches long cable
PE3W07862LF-100cm = 100 cm long cable

Reverse Polarity TNC Male to N Female Low Loss Cable 18 Inch Length Using LMR-195 Coax , LF Solder from Pasternack Enterprises has same day shipment for domestic and International orders. Our RF, microwave and millimeter wave products maintain a 99.4% availability and are part of the broadest selection in the industry.

Click the following link (or enter part number in "SEARCH" on website) to obtain additional part information including price, inventory and certifications: [Reverse Polarity TNC Male to N Female Low Loss Cable 18 Inch Length Using LMR-195 Coax , LF Solder PE3W07862LF-18](#)

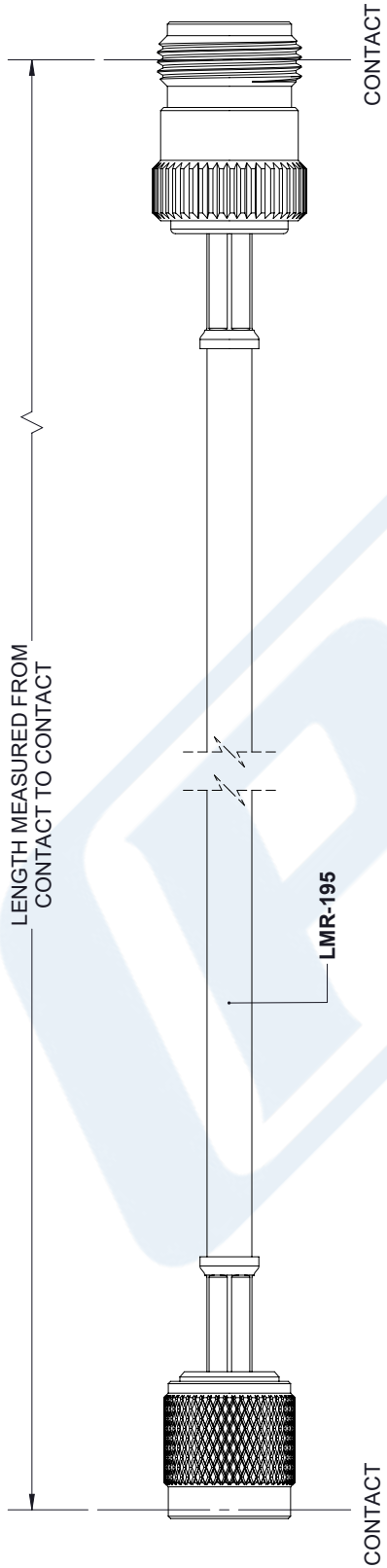
URL: <https://www.pasternack.com/tnc-male-n-female-lmr195-cable-assembly-pe3w07862lf-18-p.aspx>

The information contained in this document is accurate to the best of our knowledge and representative of the part described herein. It may be necessary to make modifications to the part and/or the documentation of the part, in order to implement improvements. Pasternack reserves the right to make such changes as required. Unless otherwise stated, all specifications are nominal. Pasternack does not make any representation or warranty regarding the suitability of the part described herein for any particular purpose, and Pasternack does not assume any liability arising out of the use of any part or documentation.

PE3W07862LF-18 CAD Drawing

Reverse Polarity TNC Male to N Female Low Loss Cable 18 Inch Length Using LMR-195 Coax , LF Solder

REVISIONS		
REV.	DESCRIPTION	DATE
A	INITIAL RELEASE	1/21/2020
		APPROVED
		S. ELLIS



RP TNC MALE
RA

N FEMALE

LMR-195

<p>UNLESS OTHERWISE SPECIFIED LEADING DIMENSIONS ARE INCHES DIMENSIONS IN [] ARE MILLIMETERS</p> <p>TOLERANCES:</p> <table> <tr> <td>.X = ±.2</td> <td>[5.08]</td> <td>FRACTIONS</td> </tr> <tr> <td>.XX = ±.02</td> <td>[.51]</td> <td>± 1/32</td> </tr> <tr> <td>.XXX = ±.005</td> <td>[.13]</td> <td>ANGLES ± 1°</td> </tr> </table> <p>CABLE LENGTH (L) TOLERANCES:</p> <table> <tr> <td>L ≤ 12</td> <td>[305]</td> <td>= +1 [25] / -0</td> </tr> <tr> <td>12 [305] < L ≤ 60</td> <td>[1524]</td> <td>= +2 [51] / -0</td> </tr> <tr> <td>60 [1524] < L ≤ 120</td> <td>[3048]</td> <td>= +4 [102] / -0</td> </tr> <tr> <td>120 [3048] < L ≤ 300</td> <td>[7620]</td> <td>= +6 [152] / -0</td> </tr> <tr> <td>300 [7620] < L ≤ ∞</td> <td></td> <td>= +5% / L / -0</td> </tr> </table> <p>ALL DIMENSIONS SHOWN ARE FOR REFERENCE ONLY.</p>	.X = ±.2	[5.08]	FRACTIONS	.XX = ±.02	[.51]	± 1/32	.XXX = ±.005	[.13]	ANGLES ± 1°	L ≤ 12	[305]	= +1 [25] / -0	12 [305] < L ≤ 60	[1524]	= +2 [51] / -0	60 [1524] < L ≤ 120	[3048]	= +4 [102] / -0	120 [3048] < L ≤ 300	[7620]	= +6 [152] / -0	300 [7620] < L ≤ ∞		= +5% / L / -0	<p>THIRD-ANGLE PROJECTION</p> <p>THE INFORMATION AND DESIGN IN THIS DOCUMENT IS THE PROPERTY OF PASTERNAK CORPORATION. ALL RIGHTS RESERVED.</p> <p>SHEET 1 OF 1</p> <p>SCALE N/A</p>
	.X = ±.2	[5.08]	FRACTIONS																						
.XX = ±.02	[.51]	± 1/32																							
.XXX = ±.005	[.13]	ANGLES ± 1°																							
L ≤ 12	[305]	= +1 [25] / -0																							
12 [305] < L ≤ 60	[1524]	= +2 [51] / -0																							
60 [1524] < L ≤ 120	[3048]	= +4 [102] / -0																							
120 [3048] < L ≤ 300	[7620]	= +6 [152] / -0																							
300 [7620] < L ≤ ∞		= +5% / L / -0																							
<p>PE PASTERNAK an INFINITO brand</p> <p>Pasternack Enterprises, Inc. P. O. Box 16759, Irvine, CA 92623. Phone: 1.949.261.1920 1.866.727.8376 Fax: 1.949.261.7451 Website: www.pasternack.com E-mail: sales@pasternack.com</p>	<p>ITEM NO. PE3W07862LF</p> <p>REV. A</p>																								

THESE COMMODITIES, TECHNOLOGY OR SOFTWARE WERE EXPORTED FROM THE UNITED STATES IN ACCORDANCE WITH THE EXPORT ADMINISTRATION REGULATIONS. DIVERSION CONTRARY TO U.S. LAW PROHIBITED.