



## BNC Male to SMB Plug Cable 100 cm Length Using LMR-195-FR Coax with HeatShrink

### RF Cable Assemblies Technical Data Sheet

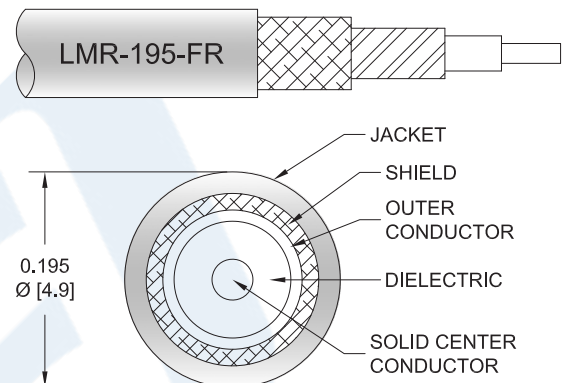
PE3W07599/HS-100CM

#### Configuration

- Connector 1: BNC Male
- Connector 2: SMB Plug
- Cable Type: LMR-195-FR

#### Features

- Max Frequency 4 GHz
- Shielding Effectivity > 90 dB
- 76% Phase Velocity
- Double Shielded
- FRPE Jacket



#### Applications

- General Purpose
- Laboratory Use

#### Description

Pasternack's PE3W07599/HS-100CM BNC male to SMB plug 100 cm cable using LMR-195-FR coax is part of our full line of RF components available for same-day shipping. Pasternack's flexible RF cable assemblies are ideal for applications where tight bends and flexure are required. This Pasternack BNC to SMB cable assembly has a male to plug gender configuration with 50 ohm flexible LMR-195-FR coax. The PE3W07599/HS-100CM BNC male to SMB plug cable assembly operates to 4 GHz. The double shielding of this Pasternack cable assembly provides excellent shielding effectiveness of better than 90 dB.

Custom versions of most RF cable assemblies can be built and shipped same day. Custom cable assembly lengths can be obtained by specifying the desired length on the web site at time of order or by contacting a sales representative. Other available RF cable assembly value added services include connector orientation or clocking, heat shrink booting and custom labeling. RF testing can also be performed to document the electrical performance of your cable assembly.

Click the following link (or enter part number in "SEARCH" on website) to obtain additional part information including price, inventory and certifications: [BNC Male to SMB Plug Cable 100 cm Length Using LMR-195-FR Coax with HeatShrink PE3W07599/HS-100CM](#)



## BNC Male to SMB Plug Cable 100 cm Length Using LMR-195-FR Coax with HeatShrink

### RF Cable Assemblies Technical Data Sheet

PE3W07599/HS-100CM

#### Electrical Specifications

Description	Minimum	Typical	Maximum	Units
Frequency Range	DC		4	GHz
VSWR			1.45:1	
Velocity of Propagation		76		%
RF Shielding	90			dB
Group Delay		1.27 [4.17]		ns/ft [ns/m]
Capacitance		25.4 [83.33]		pF/ft [pF/m]
Inductance		0.064 [0.21]		uH/ft [uH/m]
DC Resistance Inner Conductor		7.6 [24.93]		$\Omega$ /1000ft [ $\Omega$ /Km]
DC Resistance Outer Conductor		4.9 [16.08]		$\Omega$ /1000ft [ $\Omega$ /Km]
Jacket Spark			3,000	Vrms

#### Specifications by Frequency

Description	F1	F2	F3	F4	F5	Units
Frequency	0.5	1	2	4		GHz
Insertion Loss (Max.)	0.47	0.58	0.76	0.99		dB

#### Electrical Specification Notes:

The Insertion Loss data above is based on the performance specifications of the coax use in the assembly. The Insertion Loss includes an estimated insertion loss of 0.2dB of connector loss.

#### Mechanical Specifications

##### Cable Assembly

Length*	39.37 in [100 cm]
Diameter	0.571 in [14.5 mm]

##### Cable

Cable Type	LMR-195-FR
Impedance	50 Ohms
Inner Conductor Type	Solid
Inner Conductor Material and Plating	Copper
Dielectric Type	PE
Number of Shields	2
Shield Layer 1	Aluminum Tape
Shield Layer 2	Tinned Copper Braid
Jacket Material	FRPE, Black
Jacket Diameter	0.195 in [4.95 mm]

Click the following link (or enter part number in "SEARCH" on website) to obtain additional part information including price, inventory and certifications: [BNC Male to SMB Plug Cable 100 cm Length Using LMR-195-FR Coax with HeatShrink PE3W07599/HS-100CM](#)



**BNC Male to SMB Plug Cable 100 cm Length  
Using LMR-195-FR Coax with HeatShrink**

**RF Cable Assemblies Technical Data Sheet**

**PE3W07599/HS-100CM**

One Time Minimum Bend Radius	0.5 in [12.7 mm]
Repeated Minimum Bend Radius	2 in [50.8 mm]
Bending Moment	0.2 lbs-ft [0.27 N-m]
Flat Plate Crush	15 lbs/in [0.27 Kg/mm]
Tensile Strength	40 lbs [18.14 Kg]

**Connectors**

Description	Connector 1	Connector 2
Type	BNC Male	SMB Plug
Specification	MIL-STD-348A	MIL-STD-348A
Impedance	50 Ohms	50 Ohms
Contact Material and Plating	Brass, Gold	Beryllium Copper, Gold
Contact Plating Specification	30 µin minimum	30 µin minimum
Dielectric Type	PTFE	PTFE
Body Material and Plating	Brass, Nickel	Brass, Nickel
Body Plating Specification	100 µin minimum	100 µin minimum
Coupling Nut Material and Plating	Brass, Nickel	
Coupling Nut Plating Specification	100 µin minimum	

**Environmental Specifications**

**Temperature**

Operating Range -40 to +85 deg C

**Compliance Certifications** (see [product page](#) for current document)

**Plotted and Other Data**

Notes:

Click the following link (or enter part number in "SEARCH" on website) to obtain additional part information including price, inventory and certifications: [BNC Male to SMB Plug Cable 100 cm Length Using LMR-195-FR Coax with HeatShrink PE3W07599/HS-100CM](#)



BNC Male to SMB Plug Cable 100 cm Length  
Using LMR-195-FR Coax with HeatShrink

RF Cable Assemblies Technical Data Sheet

PE3W07599/HS-100CM

**How to Order**

Part Number Configuration:

**PE3W07599/HS - xx uu**

Unit of Measure:  
cm = Centimeters  
<blank> = Inches  
Length  
Base Number

Example: PE3W07599/HS-12 = 12 inches long cable  
PE3W07599/HS-100cm = 100 cm long cable

BNC Male to SMB Plug Cable 100 cm Length Using LMR-195-FR Coax with HeatShrink from Pasternack Enterprises has same day shipment for domestic and International orders. Our RF, microwave and millimeter wave products maintain a 99.4% availability and are part of the broadest selection in the industry.

Click the following link (or enter part number in "SEARCH" on website) to obtain additional part information including price, inventory and certifications: [BNC Male to SMB Plug Cable 100 cm Length Using LMR-195-FR Coax with HeatShrink PE3W07599/HS-100CM](https://www.pasternack.com/bnc-male-smb-plug-lmr195fr-cable-assembly-pe3w07599-hs-100cm-p.aspx)

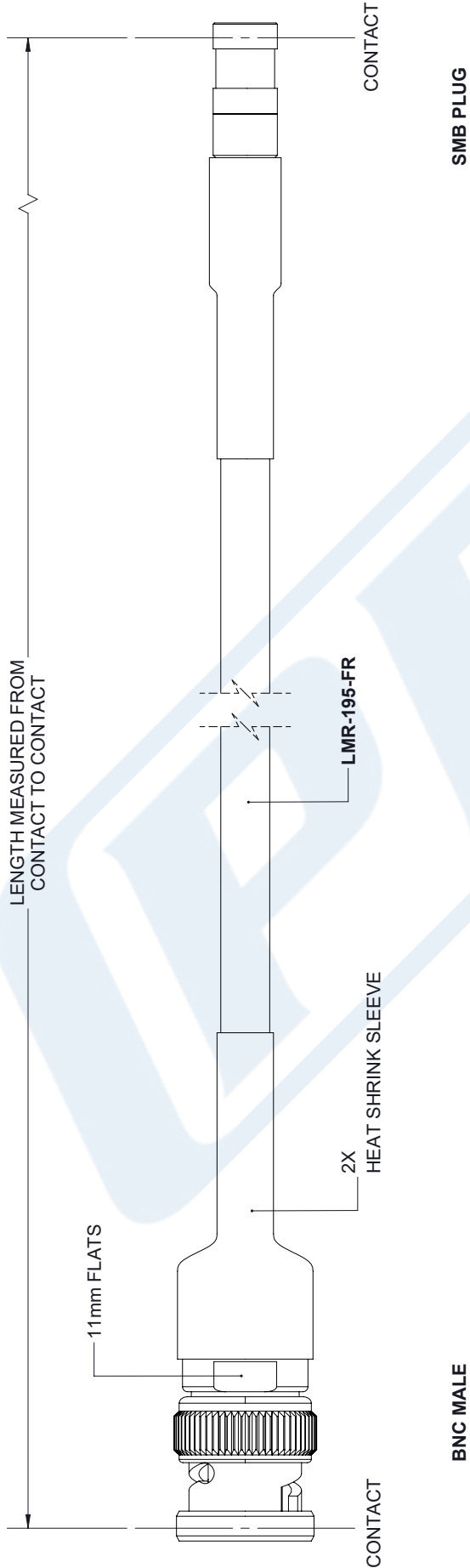
URL: <https://www.pasternack.com/bnc-male-smb-plug-lmr195fr-cable-assembly-pe3w07599-hs-100cm-p.aspx>

The information contained in this document is accurate to the best of our knowledge and representative of the part described herein. It may be necessary to make modifications to the part and/or the documentation of the part, in order to implement improvements. Pasternack reserves the right to make such changes as required. Unless otherwise stated, all specifications are nominal. Pasternack does not make any representation or warranty regarding the suitability of the part described herein for any particular purpose, and Pasternack does not assume any liability arising out of the use of any part or documentation.

# PE3W07599/HS-100CM CAD Drawing

BNC Male to SMB Plug Cable 100 cm Length Using LMR-195-FR Coax with HeatShrink

REVISIONS			
REV.	DESCRIPTION	DATE	APPROVED
A	INITIAL RELEASE	04/23/19	S. ELLIS



<p>UNLESS OTHERWISE SPECIFIED LEADING DIMENSIONS ARE INCHES DIMENSIONS IN [ ] ARE MILLIMETERS</p> <p>TOLERANCES:                  X±.2 [5.08]                  .XX±.01 [.25]                  .XXX±.005 [.13]</p> <p>FRACTIONS                  ±.132                  ANGLES ± 1°</p> <p>ALL DIMENSIONS SHOWN ARE FOR REFERENCE ONLY.</p> <p>THIRD-ANGLE PROJECTION</p>	<p><b>PE PASTERNAK</b> an INFINITO brand</p> <p>Pasternack Enterprises, Inc.                  P.O. Box 16759, Irvine, CA 92623.                  Phone: 1.949.261.1920   1.866.727.8376                  Fax: 1.949.261.7451                  www.pasternack.com   e-mail: sales@pasternack.com</p>	SHEET 1 OF 1
		SCALE N/A
SIZE A	CAGE DRAWN BY K.DANG	PART NUMBER PE3W07599/HS
REV A	REV A	REV A

THESE COMMODITIES, TECHNOLOGY OR SOFTWARE WERE EXPORTED FROM THE UNITED STATES IN ACCORDANCE WITH THE EXPORT ADMINISTRATION REGULATIONS. DIVERSION CONTRARY TO U.S. LAW PROHIBITED.