



## Reverse Polarity SMA Female Bulkhead to SMA Male Cable 50 cm Length Using PE-SR405FLJ Coax

### RF Cable Assemblies Technical Data Sheet

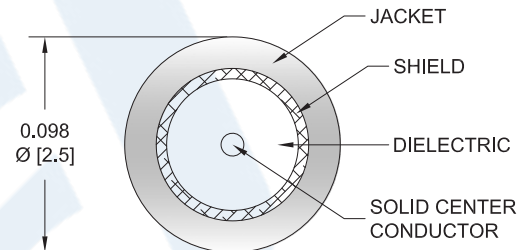
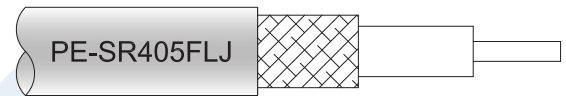
PE3W04623-50CM

#### Configuration

- Connector 1: SMA Female Reverse Polarity Bulkhead
- Connector 2: SMA Male
- Cable Type: PE-SR405FLJ

#### Features

- Max Frequency 18 GHz
- Shielding Effectivity > 100 dB
- 69.5% Phase Velocity
- FEP Jacket



#### Applications

- General Purpose
- Laboratory Use

#### Description

Pasternack's PE3W04623-50CM reverse polarity SMA female bulkhead to SMA male 50 cm cable using PE-SR405FLJ coax is part of our full line of RF components available for same-day shipping. Pasternack's formable RF cable assemblies provide an alternative to costly pre-formed semi-rigid assemblies since they are hand formable. This Pasternack reverse polarity SMA to SMA cable assembly has a female to male gender configuration with 50 ohm formable PE-SR405FLJ coax. The PE3W04623-50CM reverse polarity SMA female to SMA male cable assembly operates to 18 GHz. Our RF cable assembly with SMA bulkhead interface allows designers to create external connections on their product enclosures, and can be used in a variety of other rack mount and panel mount applications.

Custom versions of most RF cable assemblies can be built and shipped same day. Custom cable assembly lengths can be obtained by specifying the desired length on the web site at time of order or by contacting a sales representative. Other available RF cable assembly value added services include connector orientation or clocking, heat shrink booting and custom labeling. RF testing can also be performed to document the electrical performance of your cable assembly.

Click the following link (or enter part number in "SEARCH" on website) to obtain additional part information including price, inventory and certifications: [Reverse Polarity SMA Female Bulkhead to SMA Male Cable 50 cm Length Using PE-SR405FLJ Coax PE3W04623-50CM](#)



## Reverse Polarity SMA Female Bulkhead to SMA Male Cable 50 cm Length Using PE-SR405FLJ Coax

### RF Cable Assemblies Technical Data Sheet

PE3W04623-50CM

#### Electrical Specifications

Description	Minimum	Typical	Maximum	Units
Frequency Range	DC		18	GHz
VSWR			1.5:1	
Velocity of Propagation		69.5		%
RF Shielding	100			dB
Group Delay		1.43 [4.69]		ns/ft [ns/m]
Capacitance		29 [95.14]		pF/ft [pF/m]
DC Resistance Inner Conductor Km]		65.7 [215.55]		Ohms/1000ft [Ohms/ Km]
DC Resistance Outer Conductor Km]		10.2 [33.46]		Ohms/1000ft [Ohms/ Km]

#### Specifications by Frequency

Description	F1	F2	F3	F4	F5	Units
Frequency	1	2	4.5	9	18	GHz
Insertion Loss (Max.)	0.57	0.71	1.04	1.45	2.04	dB

#### Electrical Specification Notes:

The Insertion Loss data above is based on the performance specifications of the coax used in this assembly. The Insertion Loss includes an estimated insertion loss of 0.2dB of connector loss.

#### Mechanical Specifications

##### Cable Assembly

Length*	19.68 in [499.87 mm]
Diameter	0.438 in [11.13 mm]

##### Cable

Cable Type	PE-SR405FLJ
Impedance	50 Ohms
Inner Conductor Type	Solid
Inner Conductor Material and Plating	Copper Clad Steel, Silver
Dielectric Type	PTFE
Number of Shields	1
Outer Conductor Material and Plating	Tinned Copper Composite Braid
Jacket Material	FEP, Black
Jacket Diameter	0.105 in [2.67 mm]

Click the following link (or enter part number in "SEARCH" on website) to obtain additional part information including price, inventory and certifications: [Reverse Polarity SMA Female Bulkhead to SMA Male Cable 50 cm Length Using PE-SR405FLJ Coax PE3W04623-50CM](#)



Reverse Polarity SMA Female Bulkhead to SMA Male  
Cable 50 cm Length Using PE-SR405FLJ Coax

RF Cable Assemblies Technical Data Sheet

PE3W04623-50CM

One Time Minimum Bend Radius 0.5 in [12.7 mm]  
Repeated Minimum Bend Radius 0.787 in [19.99 mm]

**Connectors**

Description	Connector 1	Connector 2
Type	SMA Female Reverse Polarity Bulkhead	SMA Male
Specification		MIL-STD-348A
Impedance	50 Ohms	50 Ohms
Mating Cycles		500
Contact Material and Plating	Brass, Gold over Nickel	Brass, Gold
Contact Plating Specification		50 µin minimum
Dielectric Type	PTFE	PTFE
Body Material and Plating	Stainless Steel, Gold over Nickel	Stainless Steel, Gold
Body Plating Specification		10 µin minimum
Coupling Nut Material and Plating		Brass, Nickel
Coupling Nut Plating Specification		100 µin minimum
Hex Size		5/16 inch
Torque		3 in-lbs [0.34 Nm]

Mechanical Specification Notes:

\*All cable assemblies have a length tolerance of 1.5% or ± 3/8", whichever is greater.

**Compliance Certifications** (see [product page](#) for current document)

**Plotted and Other Data**

Notes:

Click the following link (or enter part number in "SEARCH" on website) to obtain additional part information including price, inventory and certifications: [Reverse Polarity SMA Female Bulkhead to SMA Male Cable 50 cm Length Using PE-SR405FLJ Coax PE3W04623-50CM](#)



Reverse Polarity SMA Female Bulkhead to SMA Male  
Cable 50 cm Length Using PE-SR405FLJ Coax

RF Cable Assemblies Technical Data Sheet

PE3W04623-50CM

**How to Order**

Part Number Configuration:

**PE3W04623**

- **xx**

**uu**

Unit of Measure:  
cm = Centimeters  
<blank> = Inches  
Length  
Base Number

Example: PE3W04623-12 = 12 inches long cable  
PE3W04623-100cm = 100 cm long cable

Reverse Polarity SMA Female Bulkhead to SMA Male Cable 50 cm Length Using PE-SR405FLJ Coax from Pasternack Enterprises has same day shipment for domestic and International orders. Our RF, microwave and millimeter wave products maintain a 99.4% availability and are part of the broadest selection in the industry.

Click the following link (or enter part number in "SEARCH" on website) to obtain additional part information including price, inventory and certifications: [Reverse Polarity SMA Female Bulkhead to SMA Male Cable 50 cm Length Using PE-SR405FLJ Coax PE3W04623-50CM](https://www.pasternack.com/sma-female-sma-male-pe-sr405flj-cable-assembly-pe3w04623-50cm-p.aspx)

URL: <https://www.pasternack.com/sma-female-sma-male-pe-sr405flj-cable-assembly-pe3w04623-50cm-p.aspx>

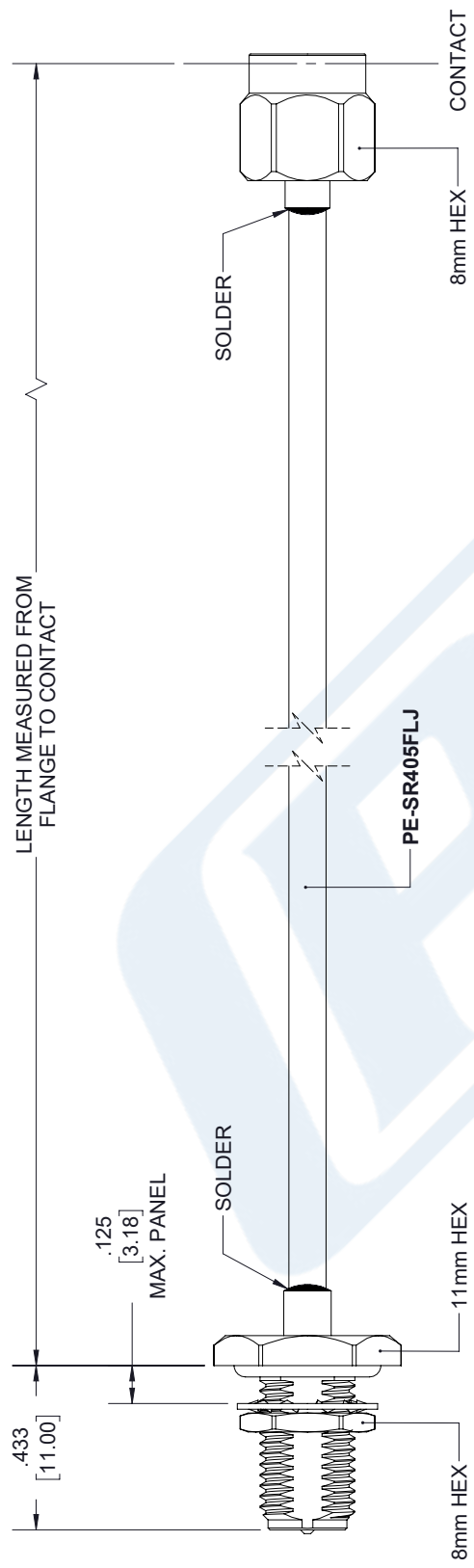
The information contained in this document is accurate to the best of our knowledge and representative of the part described herein. It may be necessary to make modifications to the part and/or the documentation of the part, in order to implement improvements. Pasternack reserves the right to make such changes as required. Unless otherwise stated, all specifications are nominal. Pasternack does not make any representation or warranty regarding the suitability of the part described herein for any particular purpose, and Pasternack does not assume any liability arising out of the use of any part or documentation.

# PE3W04623-50CM CAD Drawing

## Reverse Polarity SMA Female Bulkhead to SMA Male Cable

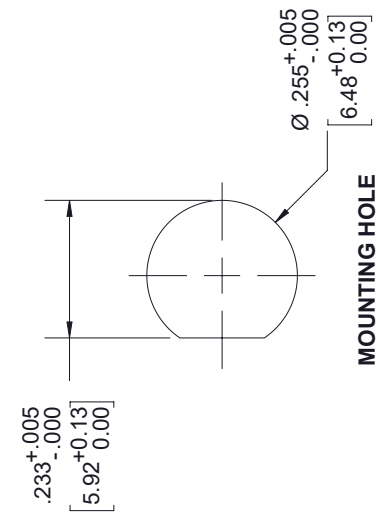
### 50 cm Length Using PE-SR405FLJ Coax

REVISIONS			
REV.	DESCRIPTION	DATE	APPROVED
A	INITIAL RELEASE	05/02/19	S. ELLIS



**RP SMA FEMALE  
BULKHEAD**

**SMA MALE**



**MOUNTING HOLE**

<p>UNLESS OTHERWISE SPECIFIED LEADING DIMENSIONS ARE INCHES DIMENSIONS IN [ ] ARE MILLIMETERS</p> <p><b>TOLERANCES:</b></p> <table style="font-size: small;"> <tr> <td>X±.2</td> <td>[5.08]</td> <td>FRACTIONS</td> </tr> <tr> <td>.XX±.01</td> <td>[.25]</td> <td>±.132</td> </tr> <tr> <td>.XXX±.005</td> <td>[.13]</td> <td>ANGLES ± 1°</td> </tr> </table> <p>ALL DIMENSIONS SHOWN ARE FOR REFERENCE ONLY.</p> <p>THIRD-ANGLE PROJECTION</p>	X±.2	[5.08]	FRACTIONS	.XX±.01	[.25]	±.132	.XXX±.005	[.13]	ANGLES ± 1°		<p><b>PE PASTERNAK</b> an INFINITO brand</p> <p>Pasternack Enterprises, Inc. P.O. Box 16759, Irvine, CA 92623. Phone: 1.949.261.1920   1.866.727.8376 Fax: 1.949.261.7451 www.pasternack.com   e-mail: sales@pasternack.com</p>
X±.2	[5.08]	FRACTIONS									
.XX±.01	[.25]	±.132									
.XXX±.005	[.13]	ANGLES ± 1°									
<p>THE INFORMATION AND DESIGN IN THIS DOCUMENT IS THE PROPERTY OF PASTERNAK CORPORATION. ALL RIGHTS RESERVED.</p> <p>SHEET 1 OF 1</p> <p>SCALE N/A</p>	<p>REV A</p>	<p>REV A</p>									
<p>SIZE A</p> <p>CAGE 53919</p> <p>DRAWN BY K.DANG</p> <p>PART NUMBER PE3W04623</p>	<p>SCALE N/A</p>	<p>REV A</p>									

THESE COMMODITIES, TECHNOLOGY OR SOFTWARE WERE EXPORTED FROM THE UNITED STATES IN ACCORDANCE WITH THE EXPORT ADMINISTRATION REGULATIONS. DIVERSION CONTRARY TO U.S. LAW PROHIBITED.