



Reverse Polarity SMA Female Bulkhead to SMA Male Cable 200 cm Length Using PE-SR405FLJ Coax

RF Cable Assemblies Technical Data Sheet

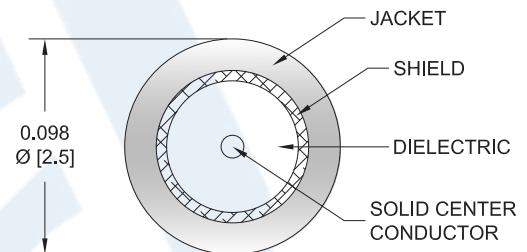
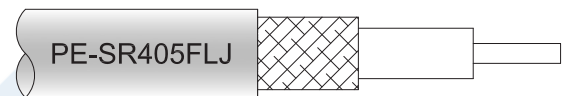
PE3W04623-200CM

Configuration

- Connector 1: SMA Female Reverse Polarity Bulkhead
- Connector 2: SMA Male
- Cable Type: PE-SR405FLJ

Features

- Max Frequency 18 GHz
- Shielding Effectivity > 100 dB
- 69.5% Phase Velocity
- FEP Jacket



Applications

- General Purpose
- Laboratory Use

Description

Pasternack's PE3W04623-200CM reverse polarity SMA female bulkhead to SMA male 200 cm cable using PE-SR405FLJ coax is part of our full line of RF components available for same-day shipping. Pasternack's formable RF cable assemblies provide an alternative to costly pre-formed semi-rigid assemblies since they are hand formable. This Pasternack reverse polarity SMA to SMA cable assembly has a female to male gender configuration with 50 ohm formable PE-SR405FLJ coax. The PE3W04623-200CM reverse polarity SMA female to SMA male cable assembly operates to 18 GHz. Our RF cable assembly with SMA bulkhead interface allows designers to create external connections on their product enclosures, and can be used in a variety of other rack mount and panel mount applications.

Custom versions of most RF cable assemblies can be built and shipped same day. Custom cable assembly lengths can be obtained by specifying the desired length on the web site at time of order or by contacting a sales representative. Other available RF cable assembly value added services include connector orientation or clocking, heat shrink booting and custom labeling. RF testing can also be performed to document the electrical performance of your cable assembly.

Click the following link (or enter part number in "SEARCH" on website) to obtain additional part information including price, inventory and certifications: [Reverse Polarity SMA Female Bulkhead to SMA Male Cable 200 cm Length Using PE-SR-405FLJ Coax PE3W04623-200CM](#)



Reverse Polarity SMA Female Bulkhead to SMA Male Cable 200 cm Length Using PE-SR405FLJ Coax

RF Cable Assemblies Technical Data Sheet

PE3W04623-200CM

Electrical Specifications

| Description | Minimum | Typical | Maximum | Units |
|--------------------------------------|---------|---------------|---------|--------------------|
| Frequency Range | DC | | 18 | GHz |
| VSWR | | | 1.5:1 | |
| Velocity of Propagation | | 69.5 | | % |
| RF Shielding | 100 | | | dB |
| Group Delay | | 1.43 [4.69] | | ns/ft [ns/m] |
| Capacitance | | 29 [95.14] | | pF/ft [pF/m] |
| DC Resistance Inner Conductor Km] | | 65.7 [215.55] | | Ohms/1000ft [Ohms/ |
| DC Resistance Outer Conductor Km] | | 10.2 [33.46] | | Ohms/1000ft [Ohms/ |

Specifications by Frequency

| Description | F1 | F2 | F3 | F4 | F5 | Units |
|-----------------------|------|------|------|------|------|-------|
| Frequency | 1 | 2 | 4.5 | 9 | 18 | GHz |
| Insertion Loss (Max.) | 1.68 | 2.21 | 3.54 | 5.18 | 7.55 | dB |

Electrical Specification Notes:

The Insertion Loss data above is based on the performance specifications of the coax used in this assembly. The Insertion Loss includes an estimated insertion loss of 0.2dB of connector loss.

Mechanical Specifications

Cable Assembly

| | |
|----------|---------------------|
| Length* | 78.74 in [200 cm] |
| Diameter | 0.438 in [11.13 mm] |

Cable

| | |
|--------------------------------------|-------------------------------|
| Cable Type | PE-SR405FLJ |
| Impedance | 50 Ohms |
| Inner Conductor Type | Solid |
| Inner Conductor Material and Plating | Copper Clad Steel, Silver |
| Dielectric Type | PTFE |
| Number of Shields | 1 |
| Outer Conductor Material and Plating | Tinned Copper Composite Braid |
| Jacket Material | FEP, Black |
| Jacket Diameter | 0.105 in [2.67 mm] |

Click the following link (or enter part number in "SEARCH" on website) to obtain additional part information including price, inventory and certifications: [Reverse Polarity SMA Female Bulkhead to SMA Male Cable 200 cm Length Using PE-SR-405FLJ Coax PE3W04623-200CM](#)



Reverse Polarity SMA Female Bulkhead to SMA Male
Cable 200 cm Length Using PE-SR405FLJ Coax

RF Cable Assemblies Technical Data Sheet

PE3W04623-200CM

One Time Minimum Bend Radius 0.5 in [12.7 mm]
Repeated Minimum Bend Radius 0.787 in [19.99 mm]

Connectors

| Description | Connector 1 | Connector 2 |
|------------------------------------|--------------------------------------|-----------------------|
| Type | SMA Female Reverse Polarity Bulkhead | SMA Male |
| Specification | | MIL-STD-348A |
| Impedance | 50 Ohms | 50 Ohms |
| Mating Cycles | | 500 |
| Contact Material and Plating | Brass, Gold over Nickel | Brass, Gold |
| Contact Plating Specification | | 50 µin minimum |
| Dielectric Type | PTFE | PTFE |
| Body Material and Plating | Stainless Steel, Gold over Nickel | Stainless Steel, Gold |
| Body Plating Specification | | 10 µin minimum |
| Coupling Nut Material and Plating | | Brass, Nickel |
| Coupling Nut Plating Specification | | 100 µin minimum |
| Hex Size | | 5/16 inch |
| Torque | | 3 in-lbs [0.34 Nm] |

Mechanical Specification Notes:

*All cable assemblies have a length tolerance of 1.5% or ± 3/8", whichever is greater.

Compliance Certifications (see [product page](#) for current document)

Plotted and Other Data

Notes:

Click the following link (or enter part number in "SEARCH" on website) to obtain additional part information including price, inventory and certifications: [Reverse Polarity SMA Female Bulkhead to SMA Male Cable 200 cm Length Using PE-SR-405FLJ Coax PE3W04623-200CM](#)



Reverse Polarity SMA Female Bulkhead to SMA Male Cable 200 cm Length Using PE-SR405FLJ Coax

RF Cable Assemblies Technical Data Sheet

PE3W04623-200CM

How to Order

Part Number Configuration:

PE3W04623

- **xx**

uu

Unit of Measure:
cm = Centimeters
<blank> = Inches
Length
Base Number

Example: PE3W04623-12 = 12 inches long cable
PE3W04623-100cm = 100 cm long cable

Reverse Polarity SMA Female Bulkhead to SMA Male Cable 200 cm Length Using PE-SR405FLJ Coax from Pasternack Enterprises has same day shipment for domestic and International orders. Our RF, microwave and millimeter wave products maintain a 99.4% availability and are part of the broadest selection in the industry.

Click the following link (or enter part number in "SEARCH" on website) to obtain additional part information including price, inventory and certifications: [Reverse Polarity SMA Female Bulkhead to SMA Male Cable 200 cm Length Using PE-SR405FLJ Coax PE3W04623-200CM](https://www.pasternack.com/sma-female-sma-male-pe-sr405flj-cable-assembly-pe3w04623-200cm-p.aspx)

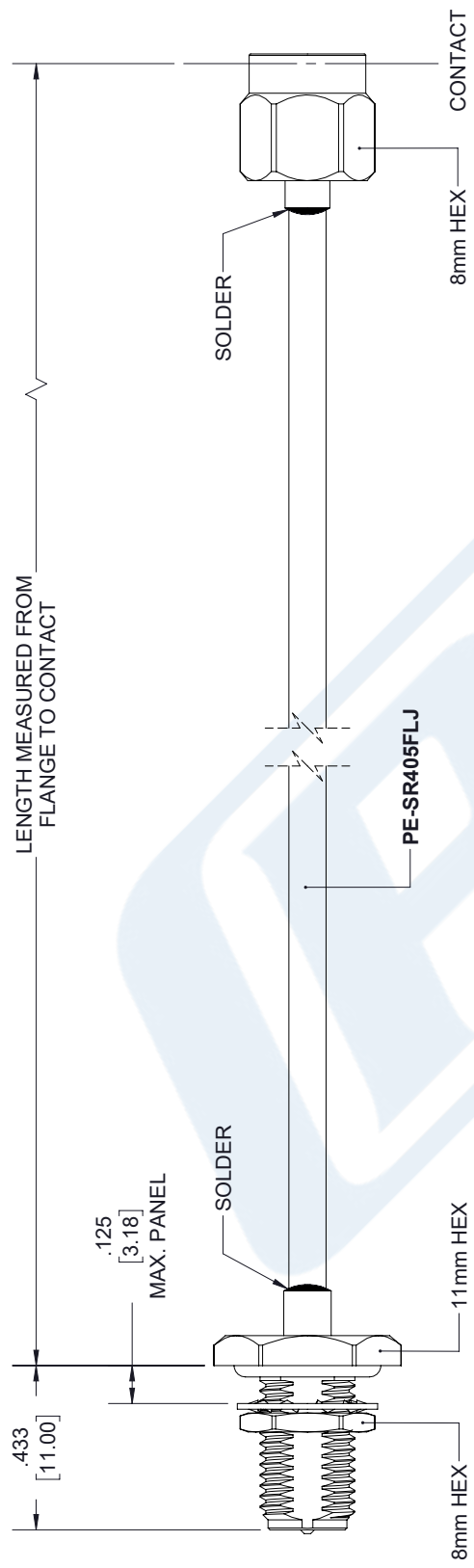
URL: <https://www.pasternack.com/sma-female-sma-male-pe-sr405flj-cable-assembly-pe3w04623-200cm-p.aspx>

The information contained in this document is accurate to the best of our knowledge and representative of the part described herein. It may be necessary to make modifications to the part and/or the documentation of the part, in order to implement improvements. Pasternack reserves the right to make such changes as required. Unless otherwise stated, all specifications are nominal. Pasternack does not make any representation or warranty regarding the suitability of the part described herein for any particular purpose, and Pasternack does not assume any liability arising out of the use of any part or documentation.

PE3W04623-200CM CAD Drawing

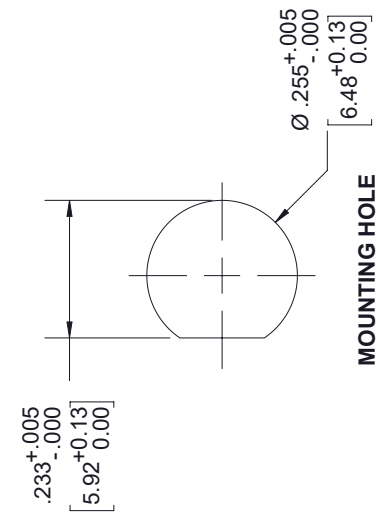
Reverse Polarity SMA Female Bulkhead to SMA Male Cable 200 cm Length Using PE-SR405FLJ Coax

| REVISIONS | | | |
|-----------|-----------------|----------|----------|
| REV. | DESCRIPTION | DATE | APPROVED |
| A | INITIAL RELEASE | 05/02/19 | S. ELLIS |



SMA MALE

**RP SMA FEMALE
BULKHEAD**



MOUNTING HOLE

| | | |
|---|---|---|
| <p>UNLESS OTHERWISE SPECIFIED LEADING DIMENSIONS ARE INCHES DIMENSIONS IN [] ARE MILLIMETERS</p> <p>TOLERANCES: X±.2 [5.08] .XX±.01 [.25] .XXX±.005 [.13]</p> <p>FRACTIONS ±1/32 ANGLES ± 1°</p> <p>ALL DIMENSIONS SHOWN ARE FOR REFERENCE ONLY.</p> <p>THIRD-ANGLE PROJECTION</p> | <p>PE PASTERNAK an INFINITO brand</p> <p>Pasternack Enterprises, Inc. P.O. Box 16759, Irvine, CA 92623. Phone: 1.949.261.1920 1.866.727.8376 Fax: 1.949.261.7451 www.pasternack.com e-mail: sales@pasternack.com</p> | <p>THE INFORMATION AND DESIGN IN THIS DOCUMENT IS THE PROPERTY OF PASTERNAK CORPORATION. ALL RIGHTS RESERVED.</p> |
| | | <p>SHEET 1 OF 1</p> <p>SCALE N/A</p> |
| <p>SIZE A</p> <p>CAGE NUMBER 53919</p> <p>DRAWN BY K.DANG</p> <p>PART NUMBER PE3W04623</p> | <p>REV A</p> | <p>REV A</p> |

THESE COMMODITIES, TECHNOLOGY OR SOFTWARE WERE EXPORTED FROM THE UNITED STATES IN ACCORDANCE WITH THE EXPORT ADMINISTRATION REGULATIONS. DIVERSION CONTRARY TO U.S. LAW PROHIBITED.