



SMA Male Right Angle to Reverse Polarity SMA  
Female Cable 200 cm Length Using RG142 Coax

RF Cable Assemblies Technical Data Sheet

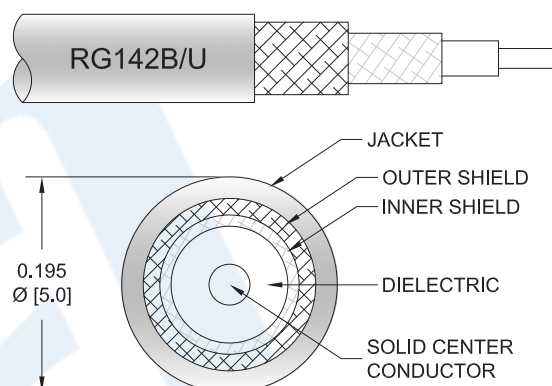
PE3W03763-200CM

**Configuration**

- Connector 1: SMA Male Right Angle
- Connector 2: SMA Female Reverse Polarity
- Cable Type: RG142

**Features**

- Max Frequency 5 GHz
- 70% Phase Velocity
- Double Shielded
- FEP Jacket



**Applications**

- General Purpose
- Laboratory Use

**Description**

Pasternack's PE3W03763-200CM SMA male right angle to reverse polarity SMA female 200 cm cable using RG142 coax is part of our full line of RF components available for same-day shipping. Pasternack's flexible RF cable assemblies are ideal for applications where tight bends and flexure are required. This Pasternack SMA to reverse polarity SMA cable assembly has a male to female gender configuration with 50 ohm flexible RG142 coax. The PE3W03763-200CM SMA male to reverse polarity SMA female cable assembly operates to 5 GHz. The right angle SMA interface on the RG142 cable allows for easier connections in tight spaces. The double shielding of this Pasternack cable assembly provides excellent shielding effectiveness.

Custom versions of most RF cable assemblies can be built and shipped same day. Custom cable assembly lengths can be obtained by specifying the desired length on the web site at time of order or by contacting a sales representative. Other available RF cable assembly value added services include connector orientation or clocking, heat shrink booting and custom labeling. RF testing can also be performed to document the electrical performance of your cable assembly.

**Electrical Specifications**

Description	Minimum	Typical	Maximum	Units
Frequency Range	DC		5	GHz
VSWR			1.5:1	
Velocity of Propagation		70		%
Capacitance		29.4 [96.46]		pF/ft [pF/m]

Click the following link (or enter part number in "SEARCH" on website) to obtain additional part information including price, inventory and certifications: [SMA Male Right Angle to Reverse Polarity SMA Female Cable 200 cm Length Using RG142 Coax PE3W03763-200CM](#)



SMA Male Right Angle to Reverse Polarity SMA  
Female Cable 200 cm Length Using RG142 Coax

RF Cable Assemblies Technical Data Sheet

PE3W03763-200CM

**Specifications by Frequency**

Description	F1	F2	F3	F4	F5	Units
Frequency	0.25	0.5	1	2.5	5	GHz
Insertion Loss (Max.)	0.66	0.82	1.16	1.69	2.67	dB

**Electrical Specification Notes:**

The Insertion Loss data above is based on the performance specifications of the coax use in this assembly. The Insertion Loss includes an estimated insertion loss of 0.3dB of connector Loss

**Mechanical Specifications**

**Cable Assembly**

Length\* 78.74 in [200 cm]  
Diameter 0.315 in [8 mm]

**Cable**

Cable Type RG142  
Impedance 50 Ohms  
Inner Conductor Type Solid  
Inner Conductor Material and Plating Copper Clad Steel, Silver  
Dielectric Type PTFE  
Number of Shields 2  
Shield Layer 1 Silver Plated Copper Braid  
Shield Layer 2 Silver Plated Copper Braid  
Jacket Material FEP, Tan  
Jacket Diameter 0.195 in [4.95 mm]

Repeated Minimum Bend Radius 1 in [25.4 mm]

Click the following link (or enter part number in "SEARCH" on website) to obtain additional part information including price, inventory and certifications: [SMA Male Right Angle to Reverse Polarity SMA Female Cable 200 cm Length Using RG142 Coax PE3W03763-200CM](#)



SMA Male Right Angle to Reverse Polarity SMA  
Female Cable 200 cm Length Using RG142 Coax

RF Cable Assemblies Technical Data Sheet

PE3W03763-200CM

**Connectors**

Description	Connector 1	Connector 2
Type	SMA Male Right Angle	SMA Female Reverse Polarity
Specification	MIL-STD-348A	MIL-STD-348
Impedance	50 Ohms	50 Ohms
Contact Material and Plating	Brass, Gold	Gold
Contact Plating Specification	50 µin minimum	MIL-G-45204
Dielectric Type	PTFE	PTFE
Body Material and Plating	Brass, Nickel	Brass, Nickel
Body Plating Specification	100 µin minimum	QQ-N-290
Coupling Nut Material and Plating	Brass, Nickel	
Coupling Nut Plating Specification	100 µin minimum	
Hex Size	5/16 inch	
Torque	3 in-lbs [0.34 Nm]	

Mechanical Specification Notes:

\*All cable assemblies have a length tolerance of 1.5% or ± 3/8", whichever is greater.

**Environmental Specifications**

**Temperature**

Operating Range -55 to +165 deg C

**Compliance Certifications** (see [product page](#) for current document)

**Plotted and Other Data**

Notes:

Click the following link (or enter part number in "SEARCH" on website) to obtain additional part information including price, inventory and certifications: [SMA Male Right Angle to Reverse Polarity SMA Female Cable 200 cm Length Using RG142 Coax PE3W03763-200CM](#)



SMA Male Right Angle to Reverse Polarity SMA  
Female Cable 200 cm Length Using RG142 Coax

RF Cable Assemblies Technical Data Sheet

PE3W03763-200CM

**How to Order**

Part Number Configuration:

**PE3W03763**

- **xx**

**uu**

Unit of Measure:  
cm = Centimeters  
<blank> = Inches  
Length  
Base Number

Example: PE3W03763-12 = 12 inches long cable  
PE3W03763-100cm = 100 cm long cable

SMA Male Right Angle to Reverse Polarity SMA Female Cable 200 cm Length Using RG142 Coax from Pasternack Enterprises has same day shipment for domestic and International orders. Our RF, microwave and millimeter wave products maintain a 99.4% availability and are part of the broadest selection in the industry.

Click the following link (or enter part number in "SEARCH" on website) to obtain additional part information including price, inventory and certifications: [SMA Male Right Angle to Reverse Polarity SMA Female Cable 200 cm Length Using RG142 Coax PE3W03763-200CM](#)

URL: <https://www.pasternack.com/sma-male-sma-female-rg142bu-cable-assembly-pe3w03763-200cm-p.aspx>

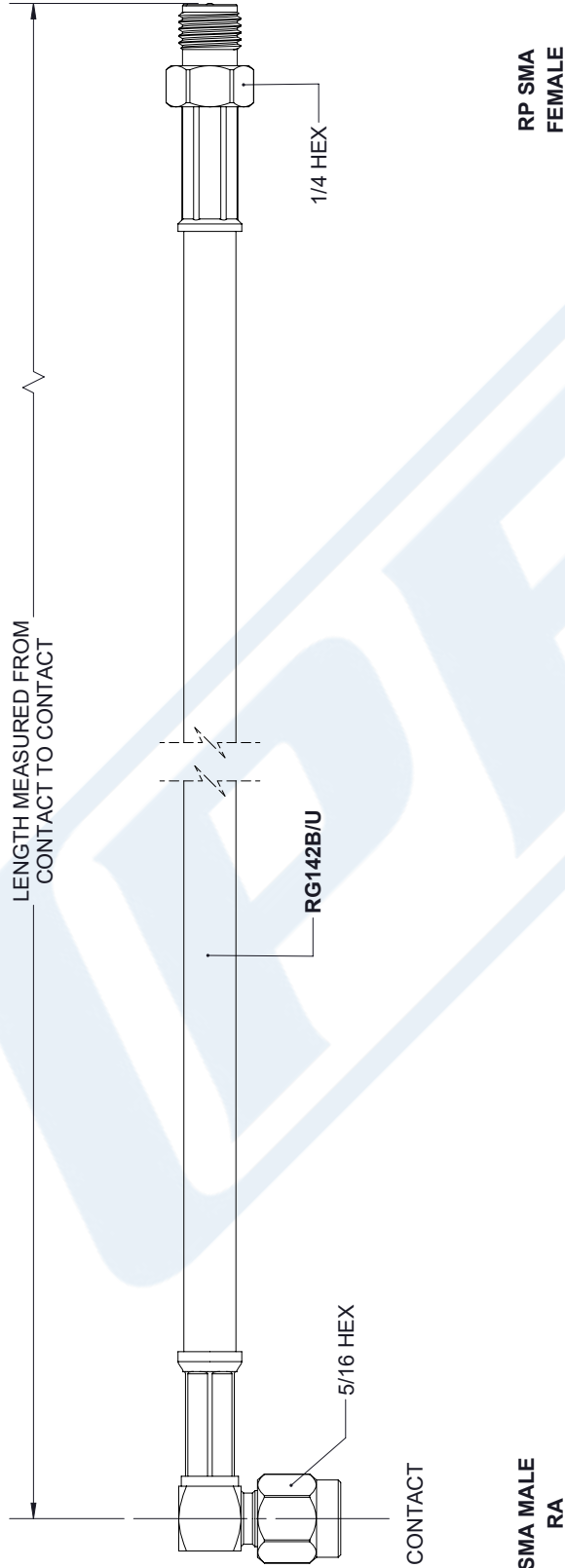
The information contained in this document is accurate to the best of our knowledge and representative of the part described herein. It may be necessary to make modifications to the part and/or the documentation of the part, in order to implement improvements. Pasternack reserves the right to make such changes as required. Unless otherwise stated, all specifications are nominal. Pasternack does not make any representation or warranty regarding the suitability of the part described herein for any particular purpose, and Pasternack does not assume any liability arising out of the use of any part or documentation.

# PE3W03763-200CM CAD Drawing


## SMA Male Right Angle to Reverse Polarity SMA Female

### Cable 200 cm Length Using RG142 Coax

REVISIONS			
REV.	DESCRIPTION	DATE	APPROVED
A	INITIAL RELEASE	04/19/19	S.ELLIS



UNLESS OTHERWISE SPECIFIED LEADING DIMENSIONS ARE INCHES DIMENSIONS IN [ ] ARE MILLIMETERS	
TOLERANCES:	
X±.2 [5.08]	FRACTIONS ±.132
.XX±.01 [.25]	ANGLES ± 1°
.XXX±.005 [.13]	
ALL DIMENSIONS SHOWN ARE FOR REFERENCE ONLY.	
THIRD-ANGLE PROJECTION	

 <b>PASTERNAK</b> an INFINITO brand Pasternack Enterprises, Inc. P.O. Box 16759, Irvine, CA 92623. Phone: 1.949.261.1920   1.866.727.8376 Fax: 1.949.261.7451 www.pasternack.com   e-mail: sales@pasternack.com		THE INFORMATION AND DESIGN IN THIS DOCUMENT IS THE PROPERTY OF PASTERNAK CORPORATION. ALL RIGHTS RESERVED. SHEET 1 OF 1 SCALE N/A		
SIZE	CAGE	DRAWN BY	PART NUMBER	REV
A	53919	K.DANG	PE3W03763	A

THESE COMMODITIES, TECHNOLOGY OR SOFTWARE WERE EXPORTED FROM THE UNITED STATES IN ACCORDANCE WITH THE EXPORT ADMINISTRATION REGULATIONS. DIVERSION CONTRARY TO U.S. LAW PROHIBITED.