



## N Female Bulkhead to QMA Male Right Angle Cable Using RG316 Coax

### RF Cable Assemblies Technical Data Sheet

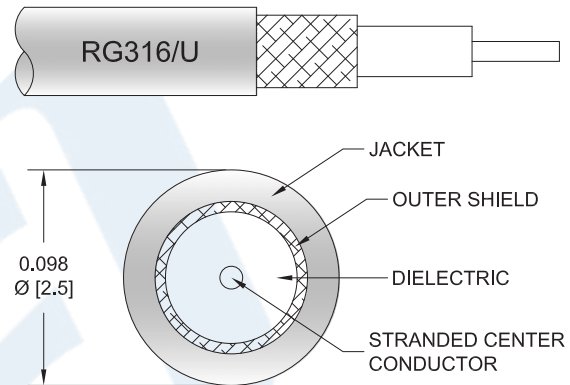
PE3C4238

#### Configuration

- Connector 1: N Female Bulkhead
- Connector 2: QMA Male Right Angle
- Cable Type: RG316

#### Features

- Max Frequency 3 GHz
- 69% Phase Velocity
- FEP Jacket
- 100 Mating Cycles



#### Applications

- General Purpose
- Laboratory Use

#### Description

Pasternack's PE3C4238 type N female bulkhead to QMA male right angle cable using RG316 coax is part of our full line of RF components available for same-day shipping. Pasternack's flexible RF cable assemblies are ideal for applications where tight bends and flexure are required. This Pasternack type N to QMA cable assembly has a female to male gender configuration with 50 ohm flexible RG316 coax. The PE3C4238 type N female to QMA male cable assembly operates to 3 GHz. The right angle QMA interface on the RG316 cable allows for easier connections in tight spaces. Our RF cable assembly with type N bulkhead interface allows designers to create external connections on their product enclosures, and can be used in a variety of other rack mount and panel mount applications.

Custom versions of most RF cable assemblies can be built and shipped same day. Custom cable assembly lengths can be obtained by specifying the desired length on the web site at time of order or by contacting a sales representative. Other available RF cable assembly value added services include connector orientation or clocking, heat shrink booting and custom labeling. RF testing can also be performed to document the electrical performance of your cable assembly.

#### Electrical Specifications

| Description             | Minimum | Typical | Maximum | Units |
|-------------------------|---------|---------|---------|-------|
| Frequency Range         | DC      |         | 3       | GHz   |
| VSWR                    |         |         | 1.4:1   |       |
| Velocity of Propagation |         | 69      |         | %     |
| Operating Voltage (AC)  |         |         | 250     | Vrms  |
| Jacket Spark            |         |         | 2,000   | Vrms  |

Click the following link (or enter part number in "SEARCH" on website) to obtain additional part information including price, inventory and certifications: [N Female Bulkhead to QMA Male Right Angle Cable Using RG316 Coax PE3C4238](#)



## N Female Bulkhead to QMA Male Right Angle Cable Using RG316 Coax

### RF Cable Assemblies Technical Data Sheet

PE3C4238

#### Specifications by Frequency

| Description           | F1   | F2   | F3   | F4   | F5   | Units |
|-----------------------|------|------|------|------|------|-------|
| Frequency             | 0.25 | 0.5  | 1    | 2.5  | 3    | GHz   |
| Insertion Loss (Max.) | 0.16 | 0.24 | 0.38 | 0.53 | 0.58 | dB/ft |
|                       | 0.52 | 0.79 | 1.25 | 1.74 | 1.9  | dB/m  |

#### Electrical Specification Notes:

Insertion Loss does not include the loss of the connectors. Insertion Loss is estimated as 0.3dB connector loss.

#### Mechanical Specifications

##### Cable Assembly

Diameter 0.807 in [20.5 mm]

##### Cable

Cable Type RG316  
 Impedance 50 Ohms  
 Inner Conductor Type Stranded  
 Inner Conductor Material and Plating Copper Clad Steel, Silver  
 Dielectric Type PTFE  
 Number of Shields 1  
 Shield Layer 1 Silver Plated Copper Braid  
 Jacket Material FEP, Tan  
 Jacket Diameter 0.098 in [2.49 mm]

#### Connectors

| Description                       | Connector 1       | Connector 2          |
|-----------------------------------|-------------------|----------------------|
| Type                              | N Female Bulkhead | QMA Male Right Angle |
| Specification                     | MIL-STD-348A      |                      |
| Impedance                         | 50 Ohms           | 50 Ohms              |
| Mating Cycles                     | 100               | 100                  |
| Contact Material and Plating      | Brass, Gold       | Brass, Gold          |
| Contact Plating Specification     | 30 µin minimum    |                      |
| Dielectric Type                   | PTFE              | PTFE                 |
| Body Material and Plating         | Brass, Nickel     | Brass, Tri-Metal     |
| Body Plating Specification        | 100 µin minimum   |                      |
| Coupling Nut Material and Plating |                   | Brass, Nickel        |

Click the following link (or enter part number in "SEARCH" on website) to obtain additional part information including price, inventory and certifications: [N Female Bulkhead to QMA Male Right Angle Cable Using RG316 Coax PE3C4238](#)



## N Female Bulkhead to QMA Male Right Angle Cable Using RG316 Coax

### RF Cable Assemblies Technical Data Sheet

PE3C4238

#### Mechanical Specification Notes:

\*All cable assemblies have a length tolerance of 1.5% or  $\pm 3/8$ ", whichever is greater.

#### Environmental Specifications

##### Temperature

Operating Range

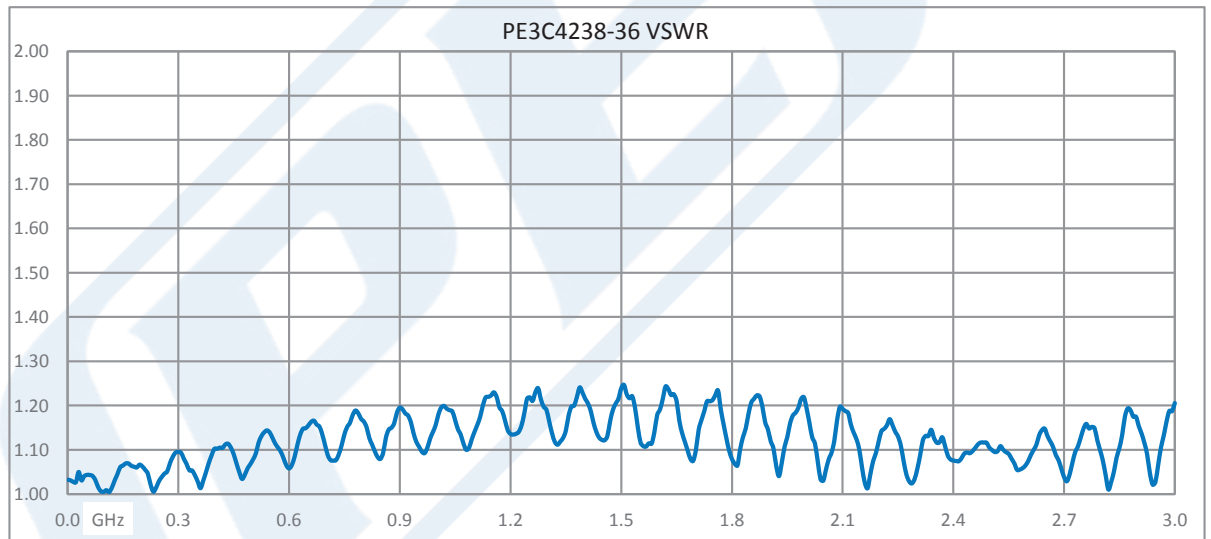
-40 to +105 deg C

**Compliance Certifications** (see [product page](#) for current document)

#### Plotted and Other Data

Notes:

#### Typical Performance Data



Click the following link (or enter part number in "SEARCH" on website) to obtain additional part information including price, inventory and certifications: [N Female Bulkhead to QMA Male Right Angle Cable Using RG316 Coax PE3C4238](#)



## N Female Bulkhead to QMA Male Right Angle Cable Using RG316 Coax

### RF Cable Assemblies Technical Data Sheet

PE3C4238

#### How to Order

Part Number Configuration:

**PE3C4238**

- **xx**

**uu**

Unit of Measure:  
cm = Centimeters  
<blank> = Inches  
Length  
Base Number

Example: PE3C4238-12 = 12 inches long cable  
PE3C4238-100cm = 100 cm long cable

N Female Bulkhead to QMA Male Right Angle Cable Using RG316 Coax from Pasternack Enterprises has same day shipment for domestic and International orders. Our RF, microwave and millimeter wave products maintain a 99.4% availability and are part of the broadest selection in the industry.

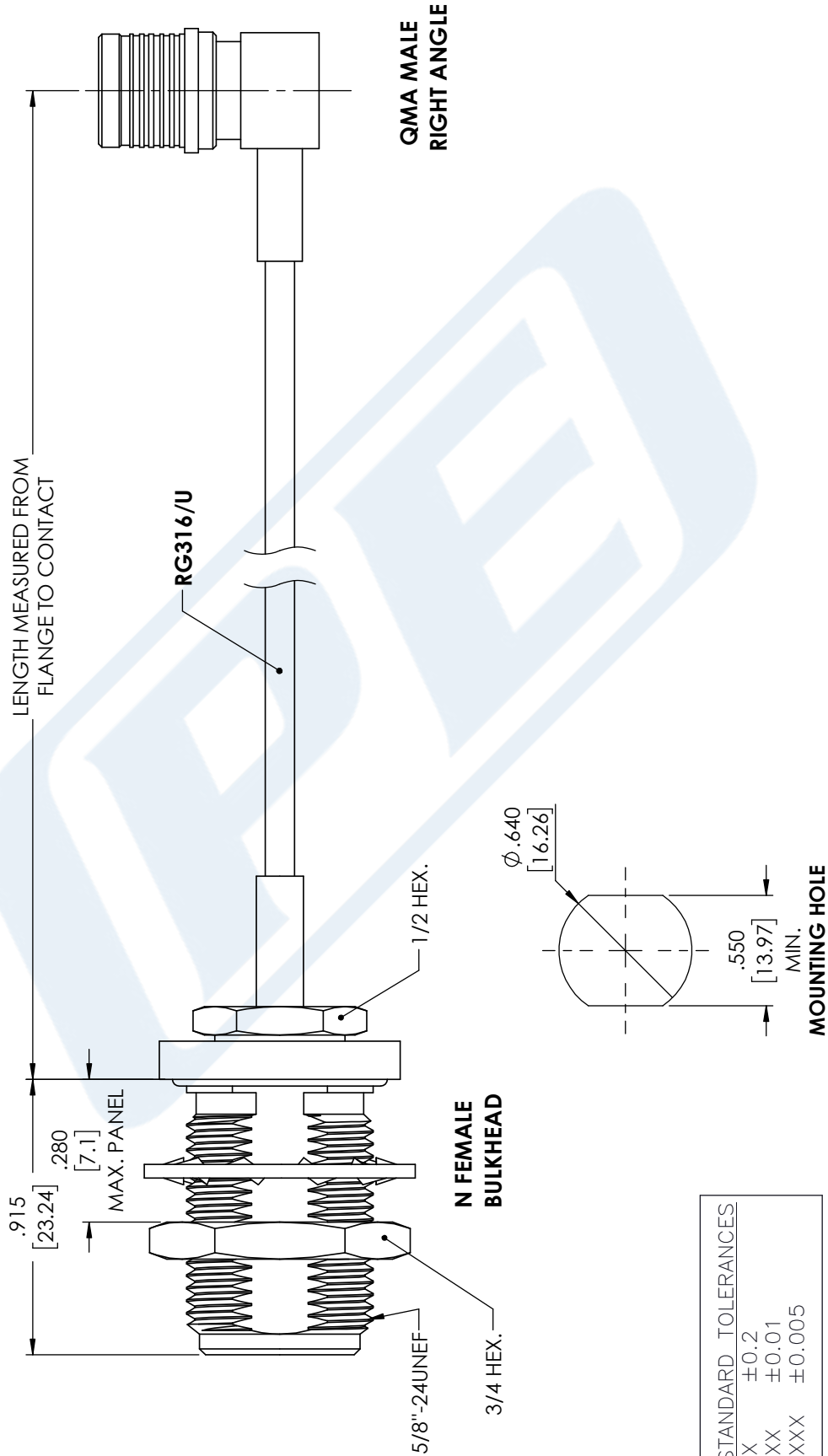
Click the following link (or enter part number in "SEARCH" on website) to obtain additional part information including price, inventory and certifications: [N Female Bulkhead to QMA Male Right Angle Cable Using RG316 Coax PE3C4238](#)

URL: <https://www.pasternack.com/n-female-qma-male-rg316u-cable-assembly-pe3c4238-p.aspx>

The information contained in this document is accurate to the best of our knowledge and representative of the part described herein. It may be necessary to make modifications to the part and/or the documentation of the part, in order to implement improvements. Pasternack reserves the right to make such changes as required. Unless otherwise stated, all specifications are nominal. Pasternack does not make any representation or warranty regarding the suitability of the part described herein for any particular purpose, and Pasternack does not assume any liability arising out of the use of any part or documentation.

# PE3C4238 CAD Drawing

N Female Bulkhead to QMA Male Right Angle Cable Using RG316 Coax



**NOTES:**  
 1. UNLESS OTHERWISE SPECIFIED ALL DIMENSIONS ARE NOMINAL.  
 2. ALL SPECIFICATIONS ARE SUBJECT TO CHANGE WITHOUT NOTICE AT ANY TIME.  
 3. DIMENSIONS ARE IN INCHES [mm].

**DWG TITLE**  
 PE3C4238

**CAGE CODE** 53919

**CAD FILE** 09/26/18

**SCALE** N/A

**SIZE A** CN2245



**PASTERNAK®**  
 THE ENGINEER'S RF SOURCE  
 Pasternack Enterprises, Inc.  
 P.O. Box 16759 | Irvine | CA | 92623  
**Phone:** (949) 261-1920 | **Fax:** (949) 261-7451  
**Website:** www.pasternack.com | **E-Mail:** sales@pasternack.com