



SMA Male to SMA Female Bulkhead Cable  
36 Inch Length Using RG402 Coax, RoHS

RF Cable Assemblies Technical Data Sheet

PE3C2892LF-36

**Configuration**

- Connector 1: SMA Male
- Connector 2: SMA Female Bulkhead
- Cable Type: RG402

**Electrical Specifications**

Description	Minimum	Typical	Maximum	Units
Frequency Range	DC		18	GHz
VSWR			1.5:1	
Capacitance		29.9 [98.1]		pF/ft [pF/m]
Dielectric Withstanding Voltage (AC)			1,000	Vrms

**Specifications by Frequency**

Description	F1	F2	F3	F4	F5	Units
Frequency	1	2	4.5	9	18	GHz
Insertion Loss (Max.)	0.56	0.67	0.95	1.44	2.15	dB

**Mechanical Specifications**

**Cable Assembly**

Length	36 in [914.4 mm]
Diameter	0.433 in [11 mm]
Weight	0.118 lbs [53.52 g]

**Cable**

Cable Type	RG402
Impedance	50 Ohms
Inner Conductor Type	Solid
Inner Conductor Material and Plating	Copper Clad Steel, Silver
Dielectric Type	PTFE
Number of Shields	1
Outer Conductor Material and Plating	Copper, Bare
Outer Conductor Diameter	0.141 in [3.58 mm]

Click the following link (or enter part number in "SEARCH" on website) to obtain additional part information including price, inventory and certifications: [SMA Male to SMA Female Bulkhead Cable 36 Inch Length Using RG402 Coax, RoHS PE3C2892LF-36](#)



SMA Male to SMA Female Bulkhead Cable  
 36 Inch Length Using RG402 Coax, RoHS

RF Cable Assemblies Technical Data Sheet

PE3C2892LF-36

**Connectors**

Description	Connector 1	Connector 2
Type	SMA Male	SMA Female Bulkhead
Specification	MIL-STD-348A	
Impedance	50 Ohms	50 Ohms
Contact Material and Plating	Brass, Gold	Beryllium Copper, Gold
Contact Plating Specification	50µ in. minimum	
Dielectric Type	Teflon	PTFE
Outer Conductor Material and Plating		Brass, Gold
Coupling Nut Material and Plating	Brass, Nickel	
Coupling Nut Plating Specification	100µ in. minimum	
Hex Size	5/16 in	
Torque	5 in-lbs [0.57 Nm]	
Body Material and Plating	Stainless Steel, Gold	Brass, Gold
Body Plating Specification	10µ in. minimum	

**Compliance Certifications** (visit [www.Pasternack.com](http://www.Pasternack.com) for current document)  
 RoHS Compliant Yes

**Plotted and Other Data**

Notes:

- Values at 25°C, sea level.

Click the following link (or enter part number in "SEARCH" on website) to obtain additional part information including price, inventory and certifications: [SMA Male to SMA Female Bulkhead Cable 36 Inch Length Using RG402 Coax, RoHS PE3C2892LF-36](#)



SMA Male to SMA Female Bulkhead Cable  
36 Inch Length Using RG402 Coax, RoHS

RF Cable Assemblies Technical Data Sheet

PE3C2892LF-36

**How to Order**

Part Number Configuration:

**PE3C2892LF - xx uu**

Unit of Measure:  
cm = Centimeters  
<blank> = Inches  
Length  
Base Number

Example: PE3C2892LF-12 = 12 inches long cable  
PE3C2892LF-100cm = 100 cm long cable

SMA Male to SMA Female Bulkhead Cable 36 Inch Length Using RG402 Coax, RoHS from Pasternack Enterprises has same day shipment for domestic and International orders. Our RF, microwave and millimeter wave products maintain a 99% availability and are part of the broadest selection in the industry.

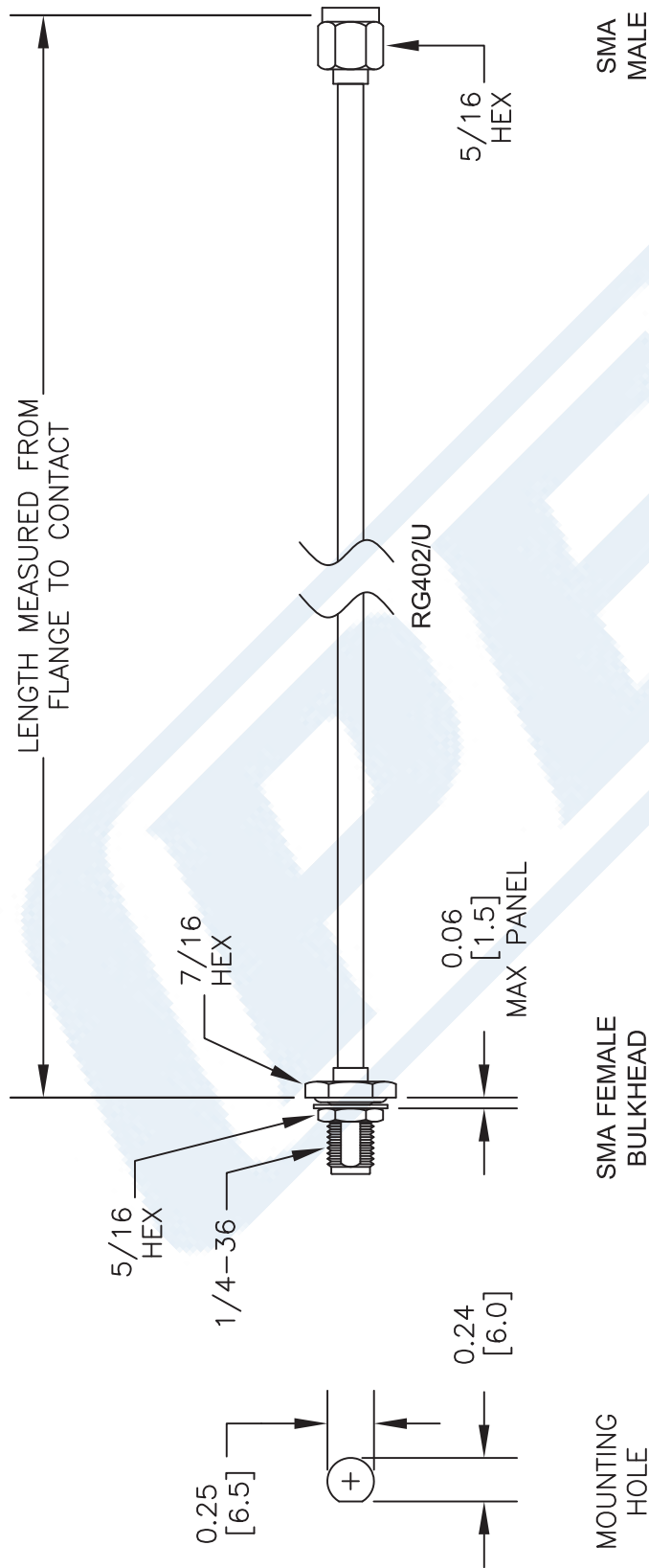
Click the following link (or enter part number in "SEARCH" on website) to obtain additional part information including price, inventory and certifications: [SMA Male to SMA Female Bulkhead Cable 36 Inch Length Using RG402 Coax, RoHS PE3C2892LF-36](#)

URL: <http://www.pasternack.com/sma-male-sma-female-rg402u-cable-assembly-pe3c2892lf-36-p.aspx>

The information contained in this document is accurate to the best of our knowledge and representative of the part described herein. It may be necessary to make modifications to the part and/or the documentation of the part, in order to implement improvements. Pasternack reserves the right to make such changes as required. Unless otherwise stated, all specifications are nominal. Pasternack does not make any representation or warranty regarding the suitability of the part described herein for any particular purpose, and Pasternack does not assume any liability arising out of the use of any part or documentation.

# PE3C2892LF-36 CAD Drawing

SMA Male to SMA Female Bulkhead Cable 36 Inch Length Using RG402 Coax, RoHS



DWG TITLE

**PE3C2892LF**

NOTES:  
 1. UNLESS OTHERWISE SPECIFIED ALL DIMENSIONS ARE NOMINAL.  
 2. ALL SPECIFICATIONS ARE SUBJECT TO CHANGE WITHOUT NOTICE AT ANY TIME.  
 3. DIMENSIONS ARE IN INCHES [mm].  
 4. LENGTH TOLERANCE IS  $\pm 1.5\%$  OR  $3/8"$ , WHICHEVER IS GREATER.

FSCM NO. 53919

CAD FILE 012216

SCALE N/A

SIZE A

2233

**PE PASTERNAK**  
 THE ENGINEER'S RF SOURCE

Pasternack Enterprises, Inc.  
 P.O. Box 16759 | Irvine | CA | 92623  
 Phone: (949) 261-1920 | Fax: (949) 261-7451  
 Website: www.pasternack.com | E-Mail: sales@pasternack.com