



## SMA Female 4 Hole Flange to SMA Female 4 Hole Flange Cable 48 Inch Length Using PE-SR047FL Coax, RoHS

### RF Cable Assemblies Technical Data Sheet

PE35112LF-48

#### Configuration

- Connector 1: SMA Female 4 Hole Flange
- Connector 2: SMA Female 4 Hole Flange
- Cable Type: PE-SR047FL

#### Features

- Max Frequency 12.4 GHz

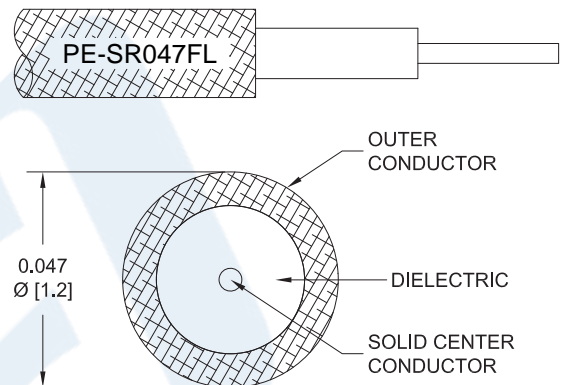
#### Applications

- General Purpose
- Laboratory Use

#### Description

Pasternack's PE35112LF-48 SMA female 4 hole flange to SMA female 4 hole flange 48 inch cable using PE-SR047FL coax is part of our full line of RF components available for same-day shipping. Pasternack's formable RF cable assemblies provide an alternative to costly pre-formed semi-rigid assemblies since they are hand formable. This Pasternack SMA to SMA cable assembly has a female to female gender configuration with 50 ohm formable PE-SR047FL coax. The PE35112LF-48 SMA female to SMA female cable assembly operates to 12.4 GHz. Our RF cable assembly with SMA 4 hole flange interface allows designers to create external connections on their product enclosures, and can be used in a variety of other rack mount and panel mount applications.

Custom versions of most RF cable assemblies can be built and shipped same day. Custom cable assembly lengths can be obtained by specifying the desired length on the web site at time of order or by contacting a sales representative. Other available RF cable assembly value added services include connector orientation or clocking, heat shrink booting and custom labeling. RF testing can also be performed to document the electrical performance of your cable assembly.



Click the following link (or enter part number in "SEARCH" on website) to obtain additional part information including price, inventory and certifications: [SMA Female 4 Hole Flange to SMA Female 4 Hole Flange Cable 48 Inch Length Using PE-SR047FL Coax, RoHS PE35112LF-48](#)



SMA Female 4 Hole Flange to SMA Female 4 Hole Flange  
Cable 48 Inch Length Using PE-SR047FL Coax, RoHS

RF Cable Assemblies Technical Data Sheet

PE35112LF-48

**Electrical Specifications**

| Description     | Minimum | Typical     | Maximum | Units        |
|-----------------|---------|-------------|---------|--------------|
| Frequency Range | DC      |             | 12.4    | GHz          |
| VSWR            |         |             | 1.4:1   |              |
| Capacitance     |         | 32 [104.99] |         | pF/ft [pF/m] |

**Specifications by Frequency**

| Description           | F1   | F2    | F3   | F4    | F5   | Units |
|-----------------------|------|-------|------|-------|------|-------|
| Frequency             | 1    | 3     | 5    | 10    | 12.4 | GHz   |
| Insertion Loss (Typ.) | 1.64 | 2.799 | 3.64 | 5.319 | 5.96 | dB    |

**Mechanical Specifications**

**Cable Assembly**

|          |                     |
|----------|---------------------|
| Length*  | 48 in [121.92 cm]   |
| Diameter | 0.5 in [12.7 mm]    |
| Weight   | 0.027 lbs [12.25 g] |

**Cable**

|                                      |                           |
|--------------------------------------|---------------------------|
| Cable Type                           | PE-SR047FL                |
| Impedance                            | 50 Ohms                   |
| Inner Conductor Type                 | Solid                     |
| Inner Conductor Material and Plating | Copper Clad Steel, Silver |
| Dielectric Type                      | PTFE                      |
| Number of Shields                    | 1                         |
| Shield Layer 1                       | Tinned Copper Braid       |
| Jacket Diameter                      | 0.047 in [1.19 mm]        |

Click the following link (or enter part number in "SEARCH" on website) to obtain additional part information including price, inventory and certifications: [SMA Female 4 Hole Flange to SMA Female 4 Hole Flange Cable 48 Inch Length Using PE-SR047FL Coax, RoHS PE35112LF-48](#)



SMA Female 4 Hole Flange to SMA Female 4 Hole Flange  
Cable 48 Inch Length Using PE-SR047FL Coax, RoHS

RF Cable Assemblies Technical Data Sheet

PE35112LF-48

**Connectors**

| Description                   | Connector 1                   | Connector 2                   |
|-------------------------------|-------------------------------|-------------------------------|
| Type                          | SMA Female 4 Hole Flange      | SMA Female 4 Hole Flange      |
| Specification                 | MIL-STD-348                   | MIL-STD-348                   |
| Impedance                     | 50 Ohms                       | 50 Ohms                       |
| Contact Material and Plating  | Beryllium Copper, Gold        | Beryllium Copper, Gold        |
| Contact Plating Specification | MIL-G-45204, Type II, Class 2 | MIL-G-45204, Type II, Class 2 |
| Dielectric Type               | Teflon                        | Teflon                        |
| Body Material and Plating     | Stainless Steel, Gold         | Stainless Steel, Gold         |
| Body Plating Specification    | MIL-G-45204                   | MIL-G-45204                   |

**Compliance Certifications** (see [product page](#) for current document)

**Plotted and Other Data**

Notes:

- Values at 25°C, sea level.

Click the following link (or enter part number in "SEARCH" on website) to obtain additional part information including price, inventory and certifications: [SMA Female 4 Hole Flange to SMA Female 4 Hole Flange Cable 48 Inch Length Using PE-SR047FL Coax, RoHS PE35112LF-48](#)



SMA Female 4 Hole Flange to SMA Female 4 Hole Flange  
Cable 48 Inch Length Using PE-SR047FL Coax, RoHS

RF Cable Assemblies Technical Data Sheet

PE35112LF-48

**How to Order**

Part Number Configuration:

**PE35112LF - xx uu**

Unit of Measure:  
cm = Centimeters  
<blank> = Inches  
Length  
Base Number

Example: PE35112LF-12 = 12 inches long cable  
PE35112LF-100cm = 100 cm long cable

SMA Female 4 Hole Flange to SMA Female 4 Hole Flange Cable 48 Inch Length Using PE-SR047FL Coax, RoHS from Pasternack Enterprises has same day shipment for domestic and International orders. Our RF, microwave and millimeter wave products maintain a 99.4% availability and are part of the broadest selection in the industry.

Click the following link (or enter part number in "SEARCH" on website) to obtain additional part information including price, inventory and certifications: [SMA Female 4 Hole Flange to SMA Female 4 Hole Flange Cable 48 Inch Length Using PE-SR047FL Coax, RoHS PE35112LF-48](https://www.pasternack.com/sma-female-sma-female-pe-sr047fl-cable-assembly-pe35112lf-48-p.aspx)

URL: <https://www.pasternack.com/sma-female-sma-female-pe-sr047fl-cable-assembly-pe35112lf-48-p.aspx>

The information contained in this document is accurate to the best of our knowledge and representative of the part described herein. It may be necessary to make modifications to the part and/or the documentation of the part, in order to implement improvements. Pasternack reserves the right to make such changes as required. Unless otherwise stated, all specifications are nominal. Pasternack does not make any representation or warranty regarding the suitability of the part described herein for any particular purpose, and Pasternack does not assume any liability arising out of the use of any part or documentation.

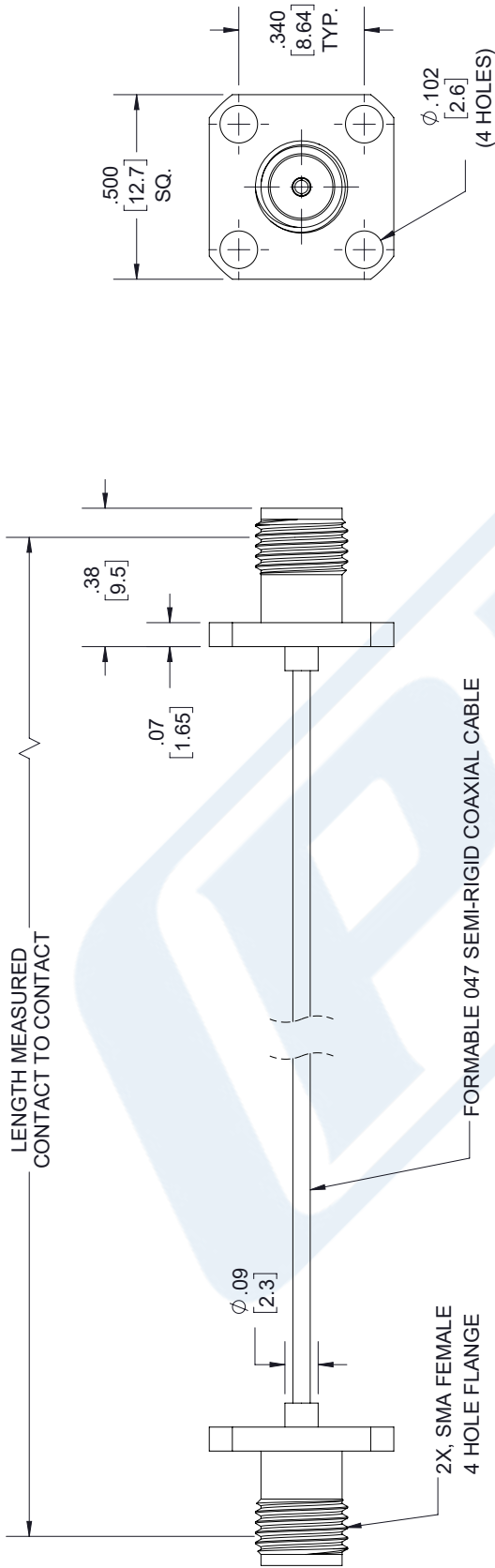
# PE35112LF-48 CAD Drawing

SMA Female 4 Hole Flange to SMA Female 4 Hole Flange Cable

48 Inch Length Using PE-SR047FL Coax, RoHS

REVISIONS

| REV. | DESCRIPTION            | DATE     | APPROVED |
|------|------------------------|----------|----------|
| A    | PCR PE35112-6 20200827 | 09/15/20 | SRAUTUS  |



**LENGTH TOLERANCE**

| LENGTH(INCH) | TOLERANCE(INCH) |
|--------------|-----------------|
| 2 - 5.9      | ±.125           |
| 6 - 11.9     | ±.187           |
| 12 - 23.9    | ±.250           |
| 24 - 35.9    | ±.313           |

UNLESS OTHERWISE SPECIFIED LEADING DIMENSIONS ARE INCHES DIMENSIONS IN [ ] ARE MILLIMETERS

TOLERANCES:

.X = ±.2 [5.08] FRACTIONS ± 1/32  
 .XX = ±.02 [.51] ANGLES ± 1°  
 .XXX = ±.005 [.13]

CABLE LENGTH (L) TOLERANCES:

L ≤ 12 [305] = +1 [25] / -0  
 12 [305] < L ≤ 60 [1524] = +2 [51] / -0  
 60 [1524] < L ≤ 120 [3048] = +4 [102] / -0  
 120 [3048] < L ≤ 300 [7620] = +6 [152] / -0  
 300 [7620] < L = +5%L / -0

ALL DIMENSIONS SHOWN ARE FOR REFERENCE ONLY.



Pasternack Enterprises, Inc.  
 P.O. Box 16759, Irvine, CA 92623.  
 Phone: 1.949.261.1920 | 1.866.727.8376  
 Fax: 1.949.261.7451  
 Website: www.pasternack.com  
 E-mail: sales@pasternack.com



THE INFORMATION AND DESIGN ARE PROPERTY OF PASTERNAK CORPORATION ALL RIGHTS RESERVED.

SHEET 1 OF 1  
 SCALE N/A

| REV | ITEM NO. | SCALE | SHEET | OF |
|-----|----------|-------|-------|----|
| A   | 53919    | SLI   | 1     | 1  |

| SIZE | CAGE CODE | DRAWN BY | ITEM NO.  |
|------|-----------|----------|-----------|
| A    | 53919     | SLI      | PE35112LF |

THESE COMMODITIES, TECHNOLOGY OR SOFTWARE WERE EXPORTED FROM THE UNITED STATES IN ACCORDANCE WITH THE EXPORT ADMINISTRATION REGULATIONS. DIVERSION CONTRARY TO U.S. LAW PROHIBITED.