



TNC Male to 7/16 DIN Male Adapter

TECHNICAL DATA SHEET

PE9637

TNC Male to 7/16 DIN Male Adapter

Configuration

Connector 1	TNC Male
Impedance 1	50 Ohms
Connector 2	7/16 DIN Male
Impedance 2	50 Ohms
Adapter Design	Standard
Body Style	Straight

Mechanical Specifications

Size

Length, in [mm]	2.137 [54.28]
Width/Dia., in [mm]	1.25 [31.75]

Connector 1

Type	TNC Male
Inner Conductor Material and Plating	Gold
Coupling Nut Material and Plating	Passivated Stainless Steel
Body Material and Plating	Passivated Stainless Steel
Dielectric Type	PTFE

Connector 2

Type	7/16 DIN Male
Inner Conductor Material and Plating	Gold
Coupling Nut Material and Plating	Brass, Tri-Metal
Body Material and Plating	Brass, Tri-Metal
Dielectric Type	PTFE

Compliance Certifications (visit www.Pasternack.com for current document)

RoHS Compliant	Yes
----------------	-----

Click the following link (or enter part number in "SEARCH" on website) to obtain additional part information including price, inventory and certifications: [TNC Male to 7/16 DIN Male Adapter PE9637](#)

The information contained in this document is accurate to the best of our knowledge and representative of the part described herein. It may be necessary to make modifications to the part and/or the documentation of the part, in order to implement improvements. Pasternack reserves the right to make such changes as required. Unless otherwise stated, all specifications are nominal.





TNC Male to 7/16 DIN Male Adapter

TECHNICAL DATA SHEET

PE9637

Plotted and Other Data

Notes:

Values at 25 °C, sea level

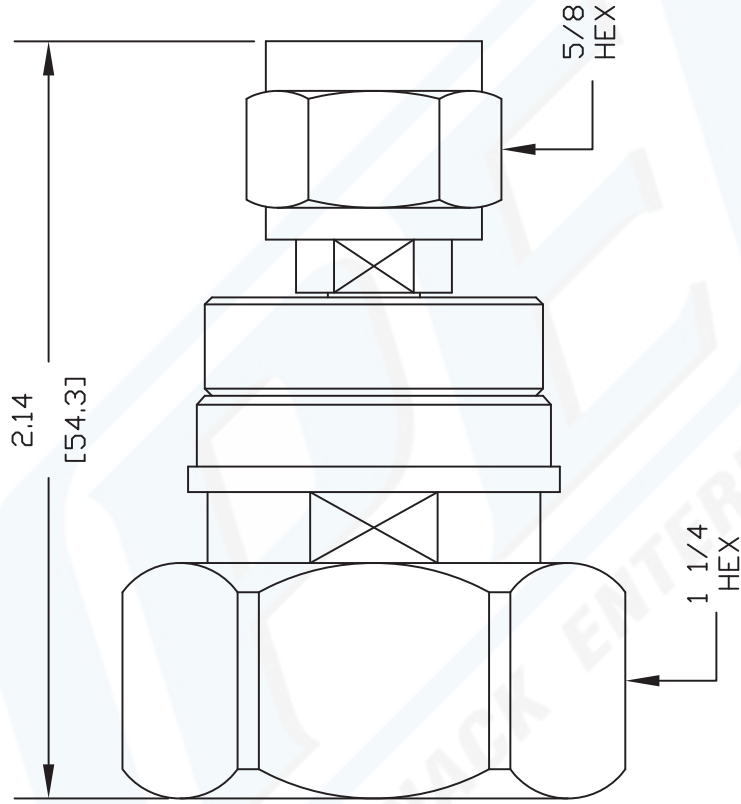
TNC Male to 7/16 DIN Male Adapter from Pasternack Enterprises has same day shipment for domestic and International orders. Our RF, microwave and fiber optic products maintain a 99% availability and are part of the broadest selection in the industry.

Click the following link (or enter part number in "SEARCH" on website) to obtain additional part information including price, inventory and certifications: [TNC Male to 7/16 DIN Male Adapter PE9637](#)

URL: <http://www.pasternack.com/tnc-male-7-16-din-male-straight-adapter-pe9637-p.aspx>

The information contained in this document is accurate to the best of our knowledge and representative of the part described herein. It may be necessary to make modifications to the part and/or the documentation of the part, in order to implement improvements. Pasternack reserves the right to make such changes as required. Unless otherwise stated, all specifications are nominal.

PE9637 CAD Drawing
TNC Male to 7/16 DIN Male Adapter



NOTES:
 1. UNLESS OTHERWISE SPECIFIED ALL DIMENSIONS ARE NOMINAL.
 2. ALL SPECIFICATIONS ARE SUBJECT TO CHANGE WITHOUT NOTICE AT ANY TIME.
 3. DIMENSIONS ARE IN INCHES (mm).

DWG TITLE
PE9637

PASTERNAK ENTERPRISES, INC.
 P.O. BOX 16759, IRVINE, CA 92623
 PHONE (949) 261-1920 FAX (949) 261-7451
 WEB ADDRESS: www.pasternack.com
 E-MAIL ADDRESS: sales@pasternack.com
COAXIAL & FIBER OPTICS



REV. -	FSCM NO. 53919	CAD FILE 100402	SCALE N/A	SIZE A	127
--------	----------------	-----------------	-----------	--------	-----